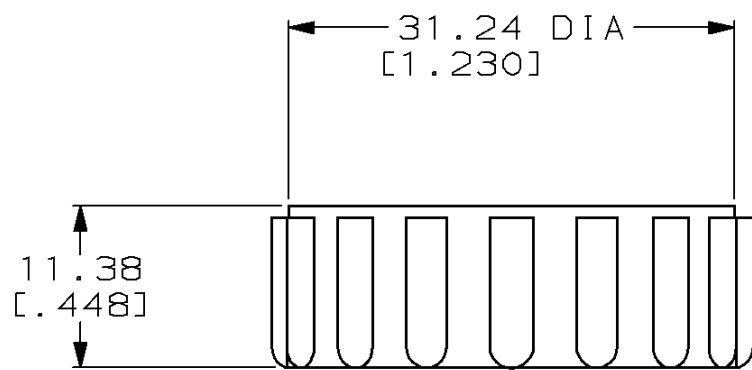
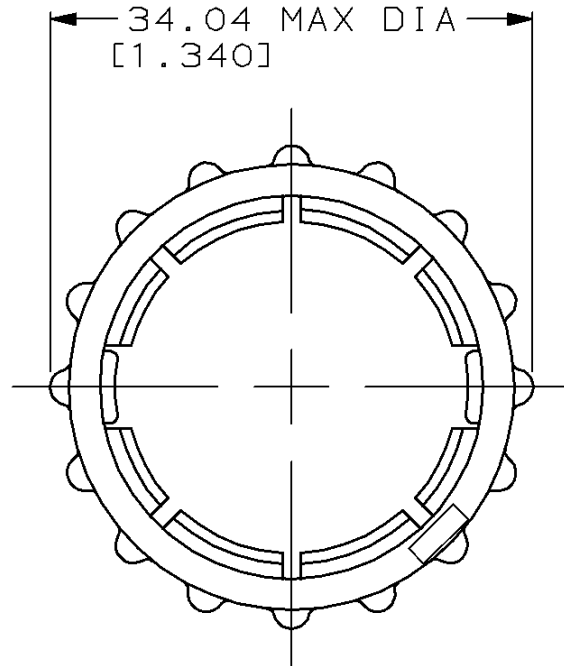


LOC	DIST	REVISIONS					
P	LTR	DESCRIPTION	DATE	DWN	APVD		
FT	4	0		REV PER EC 0320-368-97	06/20/95	-	-
		A		REV PER EC 0320-244-97	06 OCT 97	BC	KD
		B		REV PER EC 0320-368-97	31 OCT 97	CO	KD



THIS DRAWING IS UNPUBLISHED.
 BY AMP INCORPORATED. ALL RIGHTS RESERVED.
 COPYRIGHT 19

213810-1
PART NUMBER

DIMENSIONS: mm [INCHES]	DWN	D. HARDY	06/20/95	MATERIAL	POLYESTER, BLACK	FINISH	-
	CHK	R. STONE	06/21/95	AMP AMP Incorporated Harrisburg, PA 17105-3608			
TOLERANCES UNLESS OTHERWISE SPECIFIED: 0 PLC ±- 1 PLC ±- 2 PLC ±0.25 [.010] 3 PLC ±- 4 PLC ±- ANGLES ±-	APVD	R. BYERS	06/21/95				
	PRODUCT SPEC	-		NAME			
	APPLICATION SPEC	-		COUPLING RING, SIZE 17, CPC			
	WEIGHT	-		SIZE	A4	CAGE CODE	00779
	CUSTOMER DRAWING			DRAWING NO	C-213810		
				SCALE	2:1	SHEET	1 OF 1
						REV	B