

4

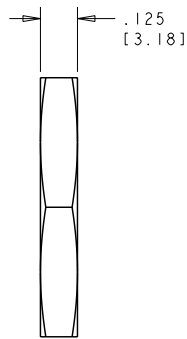
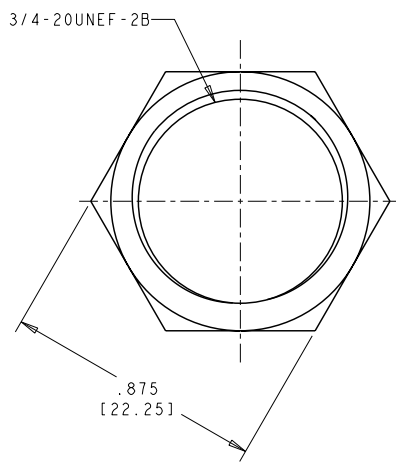
3

2

1

THIS DRAWING IS UNPUBLISHED. RELEASED FOR PUBLICATION 20
 © COPYRIGHT 20 BY TYCO ELECTRONICS CORPORATION. ALL RIGHTS RESERVED.

LOC	DIST	REVISIONS					
FT	0	P	LTR	DESCRIPTION	DATE	DWN	APVD
		A2		REV PER ECR 09-021963	05JAN10	JR	GS



1. BULK PACKAGED IN QTY OF 100.

2 FINISH: NICKEL OVER COPPER

1445904-1
PART NUMBER

<small>THIS DRAWING IS A CONTROLLED DOCUMENT FOR TYCO ELECTRONICS CORPORATION IT IS SUBJECT TO CHANGE AND THE CONTROLLING ENGINEERING ORGANIZATION SHOULD BE CONTACTED FOR THE LATEST REVISION.</small>		DWN S. WLEST 17JUN2002 CHK G. DOWTY 17JUN2002 APVD H. WAKFEM 18JUL2003	Tyco Electronics Harrisburg, PA 17105-3608
DIMENSIONS: in [mm]	TOLERANCES UNLESS OTHERWISE SPECIFIED:	NAME JAM NUT, MINI CPC	PRODUCT SPEC - APPLICATION SPEC -
	0 PLC ±- 1 PLC ±- 2 PLC ±- 3 PLC ±- 4 PLC ±- ANGLES ±-	SIZE A3 CAGE CODE 00779 DRAWING NO C-1445904	RESTRICTED TO -
MATERIAL BRASS	FINISH - 2	WEIGHT -	CUSTOMER DRAWING SCALE 3:1 SHEET 1 OF 1 REV A2