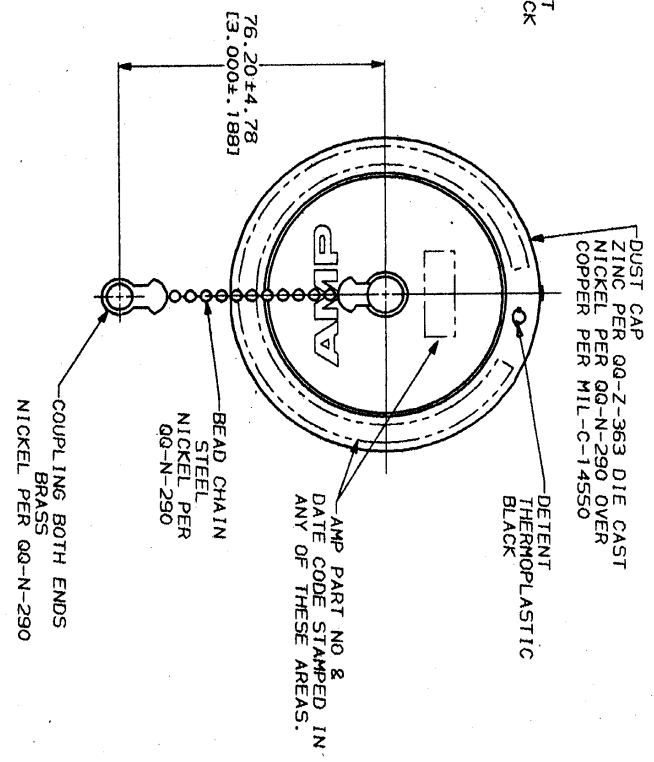
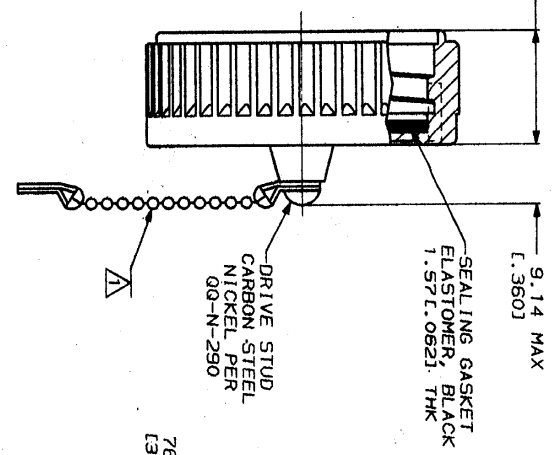
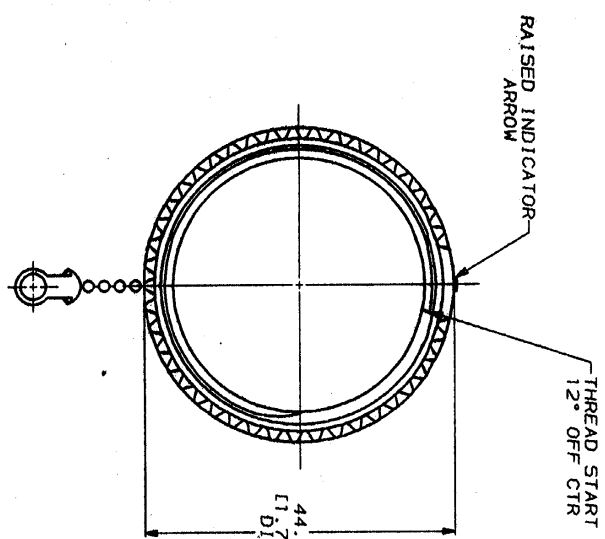


DRAWING MADE IN THIRD ANGLE PROJECTION  
 THIS DRAWING IS UNCLASSIFIED  
 BY AMP INFORMATION ALL INFORMATION REMAINS UNCLASSIFIED

NO. 23 BD 39  
 REV. 1  
 DATE 11/14/91  
 APPD. J. B. BLOOM

REV	NO.	DATE	APPD.
1	1	11/14/91	J. B. BLOOM

REVISIONS  
 REVISION 1  
 REPAIRMAN & REV EGM B05241



△ BEADED PORTION OF CHAIN MUST ROTATE FREELY. THE EYELET OF THE CHAIN IS NOT REQUIRED TO SPIN FREELY AROUND THE STUD.

DO NOT SCALE PRINT. UNLESS SPECIFIED DIMENSIONS IN mm (INCHES) 1 P L C DEC # 0.25(.010) 3 P L C DEC # - MATERIAL	DR 08/13/91 R. SHINEY	CHK 9-11-91 R. SHINEY	APPD. 9-17-91 J. B. BLOOM	NAME AMP
SEE CALLOUTS	AMP Incorporated Harrisburg, PA 17105-3608	APPD. 9-14-91 J. B. BLOOM	PRODUCT SPEC	PROTECTIVE CAP ASSEMBLY, SIZE 22, CMC
SEE CALLOUTS	APPLICATION SPEC	SCALE 2:1	DRAWING NO 211903	SHEET 1 OF 1

CUSTOMER DRAWING

211903