

4

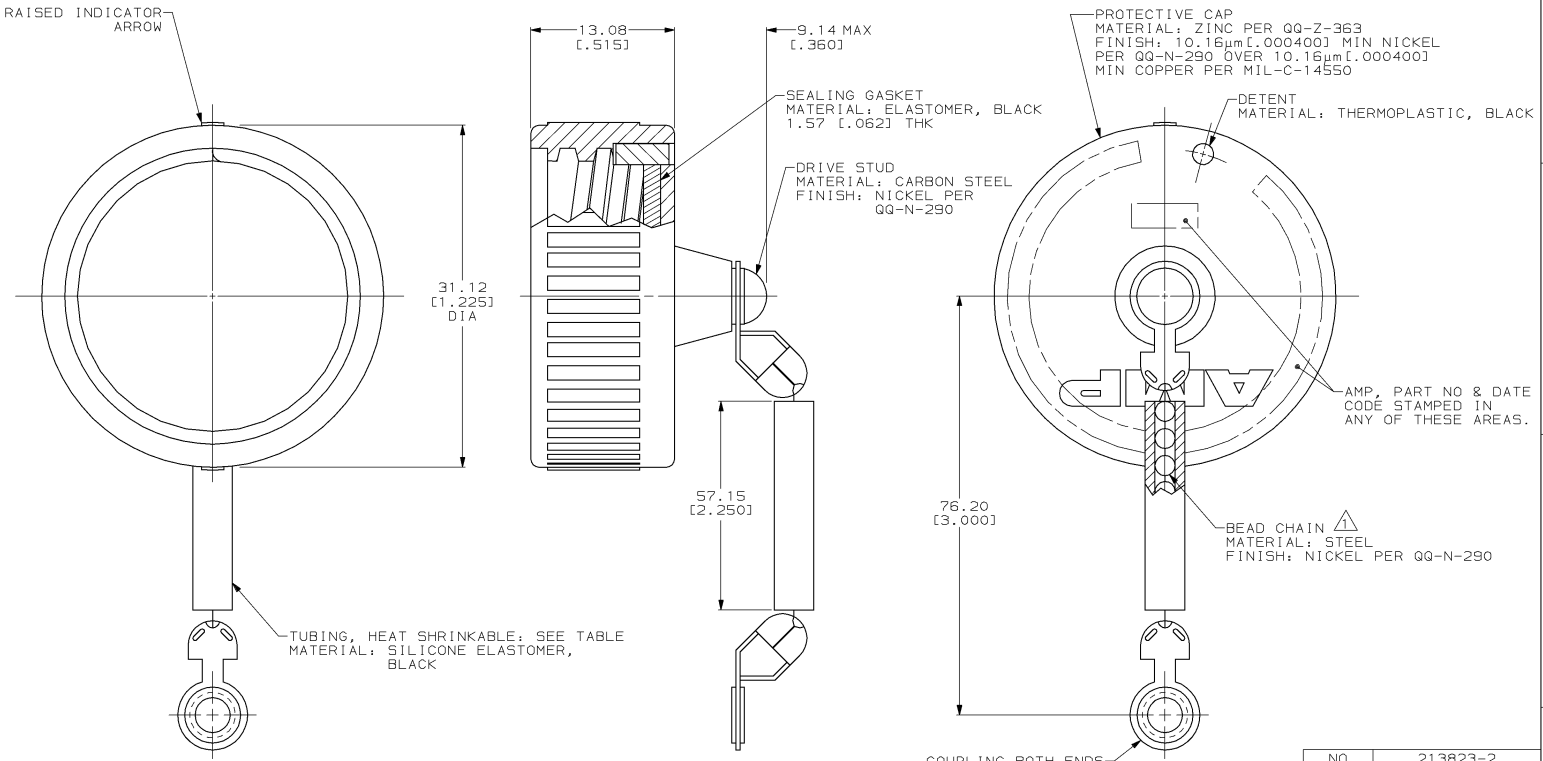
3

2

1

THIS DRAWING IS UNPUBLISHED. RELEASED FOR PUBLICATION BY AMP INCORPORATED. ALL RIGHTS RESERVED.

LOC	QTY	REV	DESCRIPTION	DATE	BY	APPV
BD	35	0	RLSE PER NPR 5273 WAS 94-4955-003	01/20/95	-	-
		A	REV PER EC 0020-363-95	04/20/95	DH	AF
		B	ADDED -2 PER EC 0020-606-95	06/09/95	DH	AF



⚠ BEADED PORTION OF CHAIN MUST ROTATE FREELY. THE EYELET OF THE CHAIN IS NOT REQUIRED TO SPIN FREELY AROUND THE STUD.

NO	213823-2
YES	213823-1
TUBING	PART NUMBER

THIS DRAWING IS UNPUBLISHED. RELEASED FOR PUBLICATION BY AMP INCORPORATED. ALL RIGHTS RESERVED.		DATE: 01/20/95 BY: K. FOLTZ CHECKED: 01/20/95 NAME: S. STONE	AMP Incorporated Harrisburg, PA 17105-3608
DIMENSIONS: mm (INCHES) 0 PLC ±.1 1 PLC ±.15 (0.10) 2 PLC ±.25 (0.10) 3 PLC ±.38 (0.15) 4 PLC ±.51 (0.20) ANGLES: ±.5°	DIMENSIONS SPECIFIED: ±.010 FINISH: SEE CALLOUTS	MATERIAL: SEE CALLOUTS FINISH: SEE CALLOUTS	PRODUCT SPEC: CRANIUM APPLICATION SPEC: - REFORM: - CUSTOMER DRAWING
PROTECTIVE CAP ASSEMBLY, SIZE 14, CMC		SIZE: A2 CASE CODE: 00779 DRAWING NO: 213823	SCALE: 4:1 SHEET: 1 OF 1 REV: B