

4

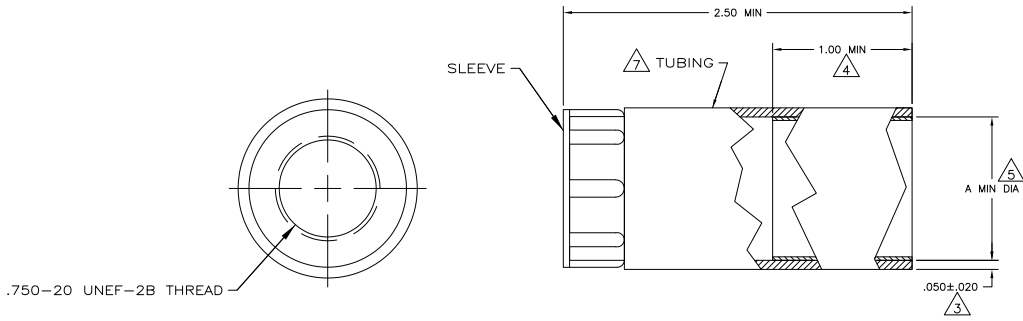
3

2

1

THIS DRAWING IS UNPUBLISHED. RELEASED FOR PUBLICATION
 © COPYRIGHT BY TYCO ELECTRONICS CORPORATION. ALL INTERNATIONAL RIGHTS RESERVED.

LOC	DIST	REVISIONS		
P	LTR	DESCRIPTION	DATE	BY
U		REVISED PER ECO-08-028385	25NOV08	HMR BC



- 1 POLYOLEFIN, BLACK.
- 2 NYLON, BLACK.
- 3 NOMINAL WALL THICKNESS, EXPANDED.
- 4 LENGTH OF SEALANT.
- 5 EXPANDED INSIDE DIAMETER.
- 6 ASSEMBLY WILL PASS 0.0703 KG PER SQ CENTIMETER [ONE POUND PER SQ IN.] WATER PRESSURE TEST.
- 7 121°C [250°F] SHRINK TEMPERATURE.
- 8 -55°C TO 110°C [-67°F TO 230°F] OPERATING TEMPERATURE.

.980	.250-.375	.195	54123-2
.775	.375-.725	.300	54123-1
A 5	CABLE DIA RANGE	MAXIMUM RECOVERED INSIDE DIAMETER	PART NUMBER
THIS DRAWING IS A CONTROLLED DOCUMENT. DATE: 02 SEP 99			
DIMENSIONS: INCHES		Tyco Electronics Corporation Harrisburg, PA 17105-3608	
0 PLC - 1 PLC - 2 PLC - 3 PLC - 4 PLC - ANGLES - FINISH -		STRAIN RELIEF ASSY, SHELL, SIZE 13, CPC	
MATERIAL: TUBING: SLEEVE:		SIZE: A2	RESTRICTED TO: U
CUSTOMER DRAWING		CAGE CODE: 00779	DRAWING NO: C=54123
		SCALE: 2:1	SHEET: 1 of 1

1471-9 (1/08)

54123

A