

4

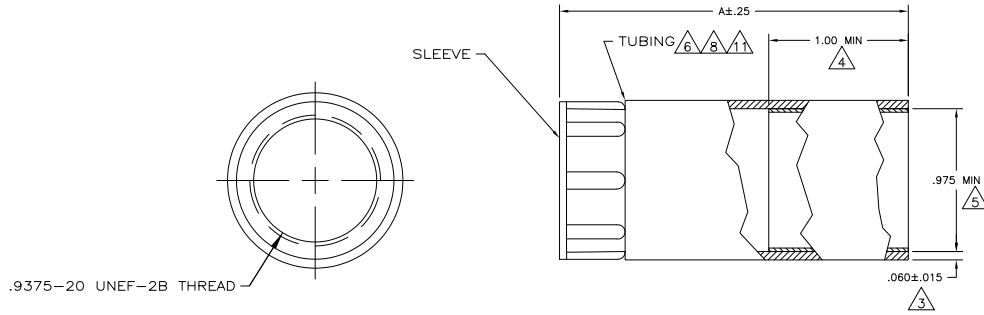
3

2

1

THIS DRAWING IS UNPUBLISHED. RELEASED FOR PUBLICATION  
 © COPYRIGHT - By - ALL RIGHTS RESERVED.

LOC	DIST	REVISIONS		
P	LTR	DESCRIPTION	DATE	BY
AB1		REVISED PER ECO-11-004917	11MAR11	RK HMR



- △ POLYOLEFIN, BLACK.
- △ NYLON, BLACK.
- △ NOMINAL WALL THICKNESS, EXPANDED.
- △ LENGTH OF SEALANT.
- △ EXPANDED INSIDE DIAMETER.
- △ 9.52[.375] MAXIMUM RECOVERED INSIDE DIAMETER.
- 7 ASSEMBLY WILL PASS 0.0703 KG PER SQ CENTIMETER [ONE POUND PER SQ IN.] WATER PRESSURE TEST.
- △ 121°C [250°F] SHRINK TEMPERATURE.
- 9 -55°C TO 110°C [-67°F TO 230°F] OPERATING TEMPERATURE.
- 10 THIS PART WILL ACCOMMODATE  $\phi 10.16 - \phi 22.22$  [ $\phi 400 - \phi 875$ ] CABLE RANGE.
- △ ACTUAL SHAPE MAY VARY DUE TO PROCESS VARIANCE.

4.00	54011-4
3.25	54011-3
2.50	54011-1
A	PART NUMBER

THIS DRAWING IS A CONTROLLED DOCUMENT.

DESIGNED BY: C. REIFSNYDER	DATE: 10 APR 96
CHKD BY: S. STONE	DATE: 15 APR 95
APP'D BY: J.A. WETZEL	DATE: 03 MAY 96
PRODUCT SPEC: -	NAME: -
APPLICATION SPEC: -	SIZE: -
WEIGHT: -	CAGE CODE: -
FINISH: -	DRAWING NO: A200779
MATERIAL: TUBING: △	REV: C=54011
SLEEVE: △	RESTRICTED TO: -

CUSTOMER DRAWING SCALE: 2:1 SHEET: 1 of 1 REV: AB1

1471-9 (3/11)

54011

A