

4

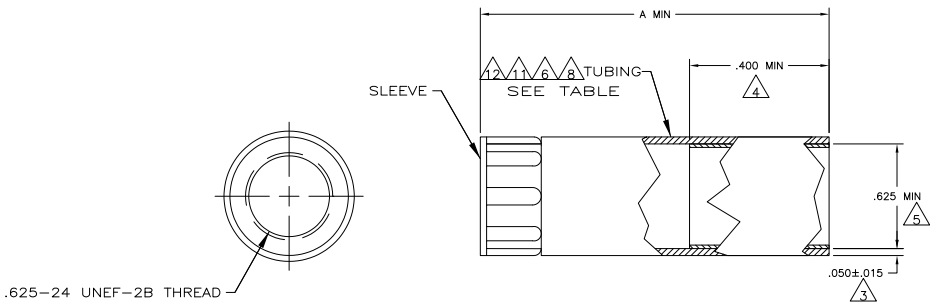
3

2

1

THIS DRAWING IS UNPUBLISHED. RELEASED FOR PUBLICATION  
 © COPYRIGHT BY TYCO ELECTRONICS CORPORATION. ALL INTERNATIONAL RIGHTS RESERVED.

LOC	DIST	REVISIONS		
P	LTR	DESCRIPTION	DATE	BY
AC		REVISED PER ECO-08-028385	25NOV08	HMR BC



- 1 POLYOLEFIN, BLACK.
- 2 NYLON, BLACK.
- 3 NOMINAL WALL THICKNESS, EXPANDED.
- 4 LENGTH OF SEALANT.
- 5 EXPANDED INSIDE DIAMETER.
- 6 6.35[.250] MAXIMUM RECOVERED INSIDE DIAMETER.
- 7 ASSEMBLY WILL PASS 0.0703 KG PER SQ CENTIMETER [ONE POUND PER SQ IN.] WATER PRESSURE TEST.
- 8 121°C [250°F] SHRINK TEMPERATURE.
- 9 -55°C TO 110°C [-67°F TO 230°F] OPERATING TEMPERATURE.
- 10 THIS PART WILL ACCOMMODATE Ø6.35 - Ø15.24 [Ø.250 - Ø.600] CABLE RANGE.
- 11 4.06 [.160] MAXIMUM RECOVERED INSIDE DIAMETER.
- 12 ACTUAL SHAPE MAY VARY DUE TO PROCESS VARIANCE.

11	8	2.25	54010-4
6	8	1.25	54010-2
6	8	2.25	54010-1
RECOVERED INSIDE DIA		A	PART NUMBER

THIS DRAWING IS A CONTROLLED DOCUMENT.

DESIGNED BY: C. REIFENHARDT	DATE: 09 APR 96	Tyco Electronics Corporation Harrisburg, PA 17105-3608
CHECKED BY: S. STONE	DATE: 15 APR 96	
DRAWN BY: J.A. WETZEL	DATE: 03 MAY 96	STRAIN RELIEF ASSY, SHELL SIZE 11, CPC
PRODUCT SPEC: -	APPLICATION SPEC: -	
MATERIAL: TUBING: Δ	FINISH: -	SIZE: A2
SLEEVE: Δ		CAGE CODE: 00779
		DRAWING NO: C=54010
		RESTRICTED TO: -
		CUSTOMER DRAWING
		SCALE: 2:1
		SHEET: 1 of 1
		REV: AC