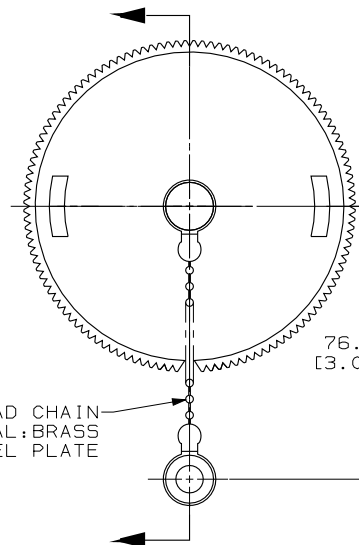


DRAWING MADE IN THIRD ANGLE PROJECTION

THIS DRAWING IS UNPUBLISHED. RELEASED FOR PUBLICATION, 19 .
 © COPYRIGHT 19 BY AMP INCORPORATED. ALL INTERNATIONAL RIGHTS RESERVED.

MOD	LOC	DIST	REVISIONS			
P	F	ZONE	LTR	DESCRIPTION	DATE	APPD
4	BD	35	C	REDRAWN & REV PER EC 0020-680-93	6-10-93	AF

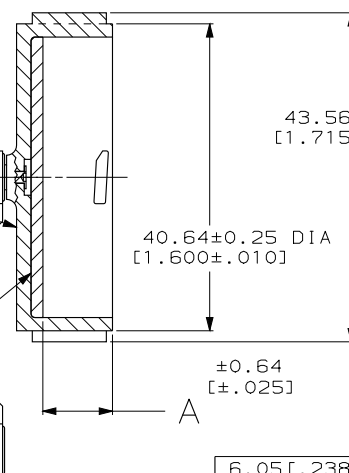


BEAD CHAIN
 MATERIAL: BRASS
 FINISH: NICKEL PLATE

RIVET
 MATERIAL: CARBON STEEL
 FINISH: ZINC PLATE
 W/CLEAR CHROMATE

SEALING CAP
 MATERIAL: THERMOPLASTIC
 COLOR: BLACK

SEALING GASKET
 MATERIAL: ELASTOMER
 COLOR: BLACK



6.05 [0.238]	208680-2
9.22 [0.363]	208680-1
A	PART NUMBER

THIS DRAWING IS A CONTROLLED DOCUMENT FOR AMP INCORPORATED. IT IS SUBJECT TO CHANGE AND THE CONTROLLING ENGINEERING ORGANIZATION SHOULD BE CONTACTED FOR THE LATEST REVISION.

DO NOT SCALE PRINT. UNLESS SPECIFIED DIMENSIONS IN mm (INCHES) TOLERANCES ON:		PART NO	
1. PLG DEC ± 0.13(.005)	2. PLG DEC ± -	DR 6-10-93 D. BROCKWAY	AMP Incorporated Harrisburg, PA 17105-3608
3. PLG DEC ± -	ANGLES ± -	CHK 7-1-93 R. STONE	NAME
MATERIAL	FINISH	APPD 7-1-93 AL FRANTUM	SEALING CAP ASSY, SIZE 23, WITH BEAD CHAIN, CPC
SEE CALLOUTS	SEE CALLOUTS	PRODUCT SPEC	SIZE
		APPLICATION SPEC	CAGE CODE
		WEIGHT -	DRAWING NO
			00779
			©=208680
			SCALE
			2:1
			SHEET
			1 OF 1

CUSTOMER DRAWING