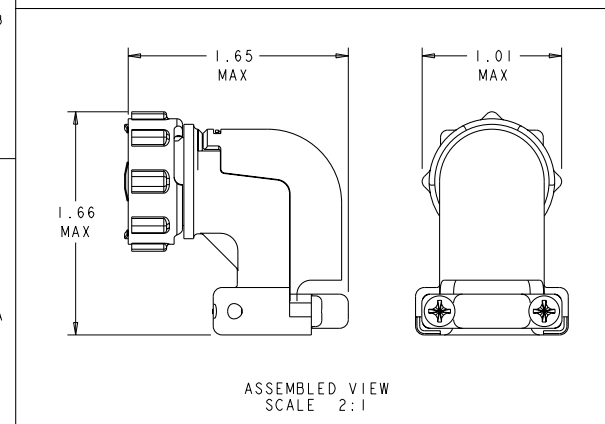
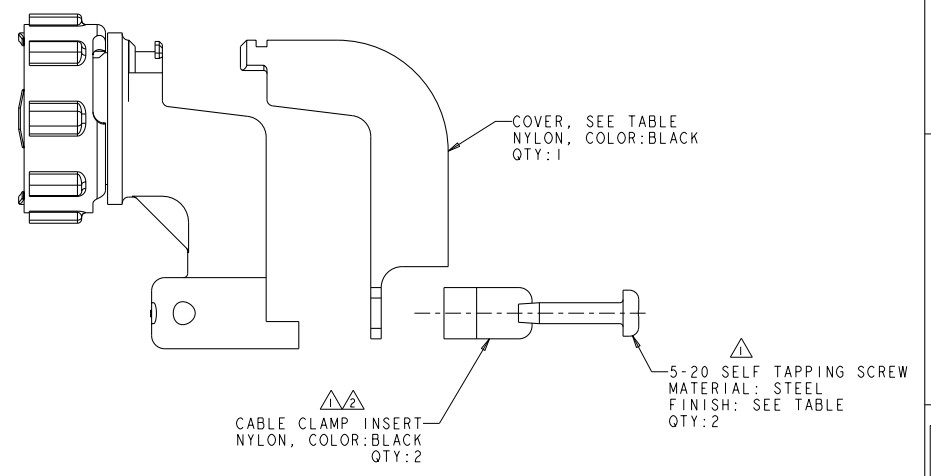
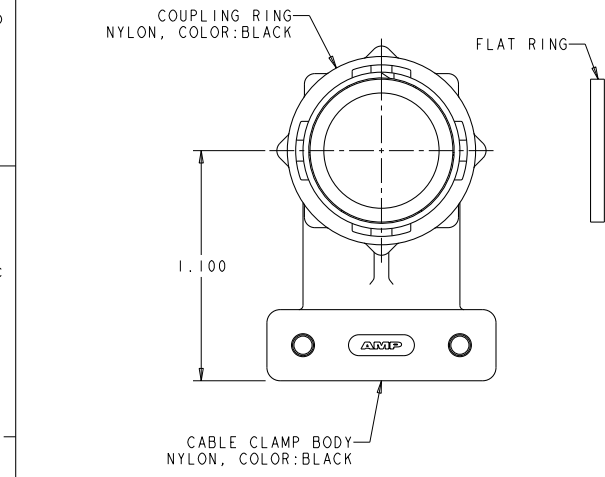


THIS DRAWING IS UNPUBLISHED. RELEASED FOR PUBLICATION  
 BY TYCO ELECTRONICS CORPORATION. ALL RIGHTS RESERVED.  
 COPYRIGHT 20

REVOLUTION		DESCRIPTION	DATE	BY	APP'D
P	1/1				
C		REVISED PER ECO-08-030868	1102C2000	HMR	GS



- ⚠ SELF TAPPING SCREWS AND CABLE CLAMP INSERTS PACKAGED UNASSEMBLED.
- ⚠ CLAMPING AREA ADJUSTABLE TO .453 O.D. MAX CABLE. CABLE CLAMP INSERTS CAN BE ADJUSTED BY INVERTING OR CHANGING CABLE CLAMP INSERT.

ZINC PLATED NON-HEXAVALENT CHROMATE	YES	1546746-4
ZINC PLATED NON-HEXAVALENT CHROMATE	NO	1546746-3
ZINC PLATED NON-HEXAVALENT CHROMATE	YES	1546746-2
ZINC PLATED NON-HEXAVALENT CHROMATE	NO	1546746-1
SCREW FINISH	COVER	PART NUMBER

DIMENSIONS: INCHES		DATE: 08JUN2003	BY: S. WELDON	APP'D: H. WAKEEM	NAME: H. WAKEEM	PRODUCT SPEC: APPLICATION SPEC	SIZE: A2	CASE CODE: 00779	DRAWING NO: 1546746	RESTRICTED TO: -
MATERIAL: -		WEIGHT: -		CUSTOMER DRAWING		SCALE: 3:1		SHEET: 1 OF 1		REV: C

AMP 1471-9 REV 31MAR2000  
 Pro/ENGINEER DRAWING