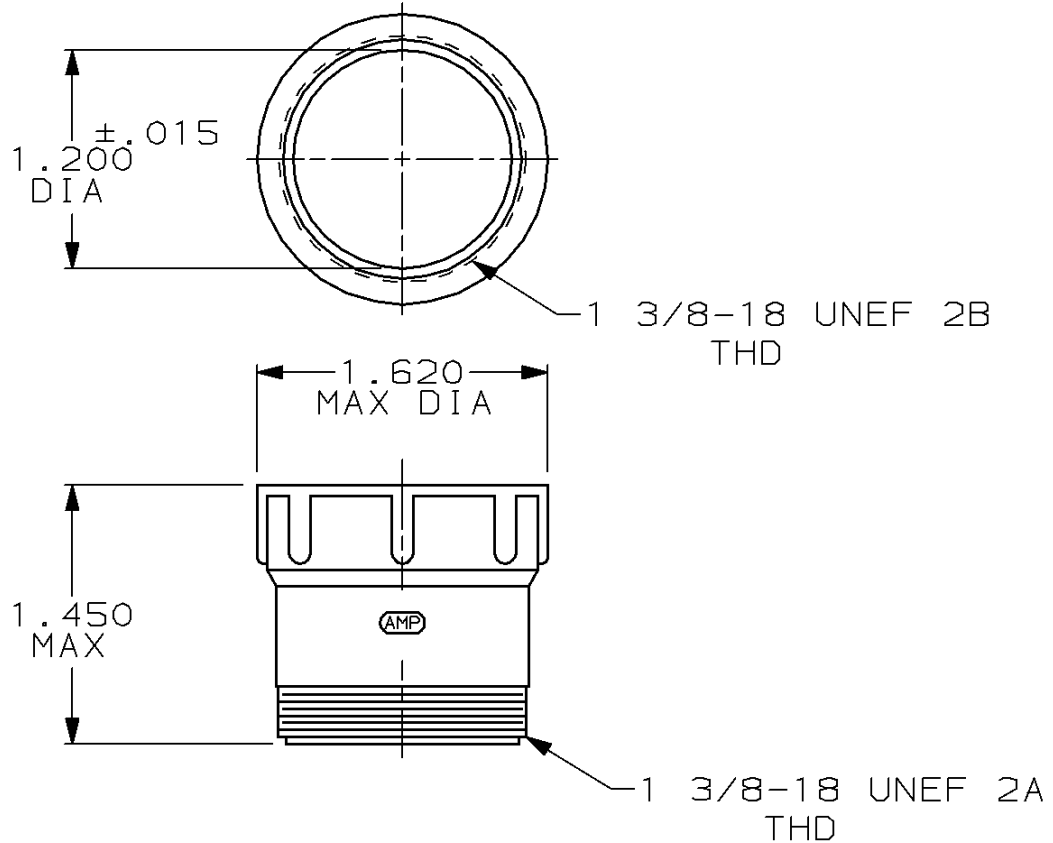


LOC	DIST	REVISIONS					
		P	LTR	DESCRIPTION	DATE	DWN	APVD
BD	35		B	REDRAWN	31 JUL 90	-	KB
			C	REVISE PER EC 0020-750-95	26 JUL 95	CR	RB



THIS DRAWING IS UNPUBLISHED. BY AMP INCORPORATED. ALL RIGHTS RESERVED. COPYRIGHT 19

207055-1
PART NUMBER

DIMENSIONS, INCHES TOLERANCES UNLESS OTHERWISE SPECIFIED: 0 PLC ±- 1 PLC ±- 2 PLC ±- 3 PLC ±- 4 PLC ±- ANGLES ±-	DWN S. RIDGLEY 31 JUL 90 CHK R. STONE 26 APR 91 APVD K. BEAVER 30 APR 91	MATERIAL GLASS FILLED NYLON AMP AMP Incorporated Harrisburg, PA 17105-3608	FINISH -
	PRODUCT SPEC - APPLICATION SPEC - WEIGHT -	NAME BACKSHELL EXTENDER, SIZE 23, CPC SIZE A4 CAGE CODE 00779 DRAWING NO C-207055	CUSTOMER DRAWING SCALE 1:1 SHEET 1 OF 1 REV C