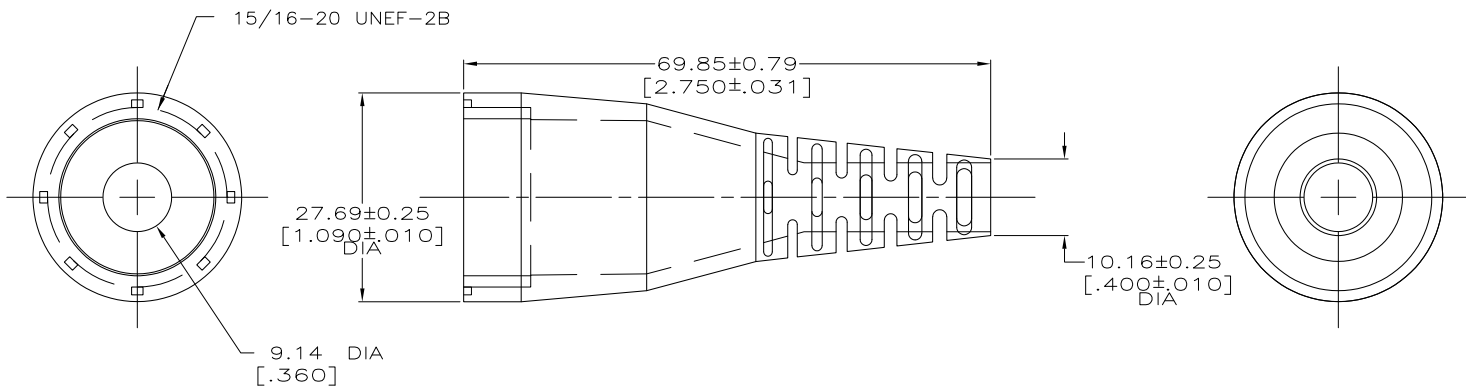


THIS DRAWING IS UNPUBLISHED. RELEASED FOR PUBLICATION
 © COPYRIGHT - By - ALL RIGHTS RESERVED.

MOD	LOC	DIST	REVISIONS			
P	LTR	DESCRIPTION	DATE	DWN	APVD	
4	BD	35	C1	REVISED PER ECO-11-005027	11MAR11	RK HMR



1. CABLE RANGE 5.08 [.200] - 6.35 [.250] WHEN USED WITH GRIPPER P/N 207387-1.
2. CABLE RANGE 6.35 [.250] - 8.89 [.350] WHEN USED WITH GRIPPER P/N 207387-2 OR 207387-4.

207241-1
PART NO

THIS DRAWING IS A CONTROLLED DOCUMENT.		DWN M. BINNER 07/29/94	TE Connectivity CABLE BOOT, FLEXIBLE, SIZE 17, CPC	
DIMENSIONS: mm [INCHES]		CHK R. STONE 8-8-94		
TOLERANCES UNLESS OTHERWISE SPECIFIED:		APVD A. FRANTUM 8-9-94	PRODUCT SPEC	RESTRICTED TO
0 PLC ± - 1 PLC ± - 2 PLC ± - 3 PLC ± 0.13 [.005] 4 PLC ± - ANGLES ± -		APPLICATION SPEC	SIZE	RESTRICTED TO
MATERIAL THERMOPLASTIC COLOR: BLACK		FINISH	WEIGHT	SCALE
			A3 00779 C=207241	SHEET 1 of 1 REV C1
			CUSTOMER DRAWING	