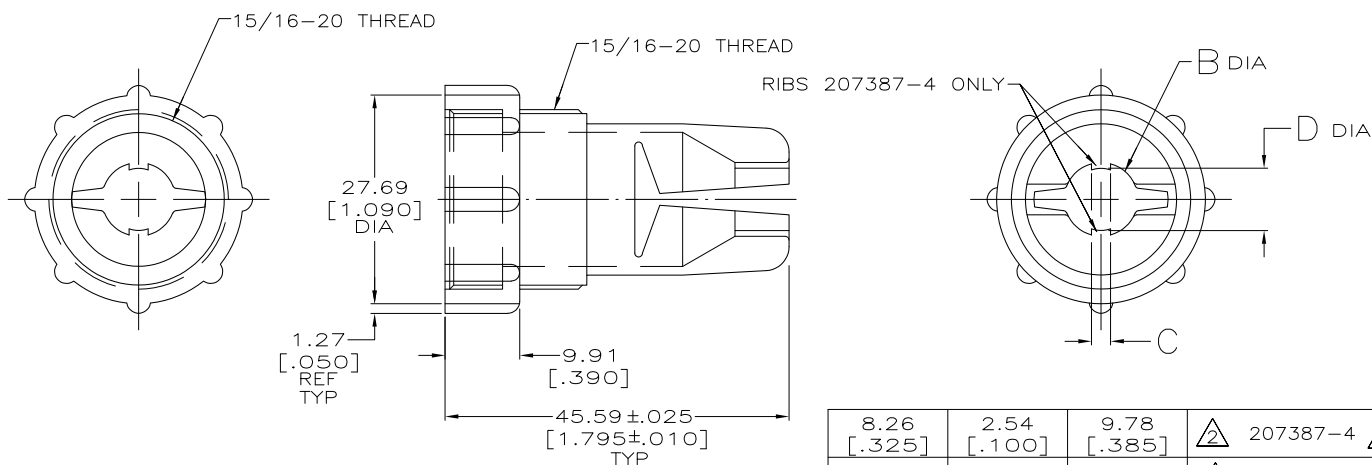


THIS DRAWING IS UNPUBLISHED. RELEASED FOR PUBLICATION
 © COPYRIGHT - By - ALL RIGHTS RESERVED.

LOC	DIST	REVISIONS			
P	LTR	DESCRIPTION	DATE	DWN	APVD
BD	35	H1	REVISED PER ECO-11-004917	11MAR11	RK HMR



- ⚠ CABLE RANGE OF 207387-1 WHEN USED WITH FLEXIBLE BOOT (P/N 207241-1) = 5.08-6.35[.200-.250] DIA.
- ⚠ CABLE RANGE OF 207387-2, & 207387-4 WHEN USED WITH FLEXIBLE BOOT (P/N 207241-1) = 6.35-8.89[.250-.350] DIA.
- ⚠ OBSOLETE PART NUMBER.

8.26 [.325]	2.54 [.100]	9.78 [.385]	⚠ 207387-4 ⚠
-	-	9.78 [.385]	⚠ 207387-2
-	-	8.26 [.325]	⚠ 207387-1
D	C	B	PART NUMBER

THIS DRAWING IS A CONTROLLED DOCUMENT.		DWN K.FOLTZ 06/20/94	TE Connectivity	
DIMENSIONS: MM(INCHES)		CHK R.STONE 06/24/94		
TOLERANCES UNLESS OTHERWISE SPECIFIED:		APVD A.FRANTUM 08/09/94	NAME CABLE GRIP, INTERNAL, SIZE 17, CPC	
0 PLC ± -		PRODUCT SPEC	SIZE CAGE CODE DRAWING NO	
1 PLC ± -		APPLICATION SPEC	A3 00779 C=207387	
2 PLC ± 0.13 [.005]		WEIGHT	RESTRICTED TO	
3 PLC ± -		CUSTOMER DRAWING	SCALE 2:1 SHEET 1 of 1 REV H1	
4 PLC ± -	FINISH	MATERIAL THERMOPLASTIC COLOR: BLACK		
ANGLES ± -				

THIS DRAWING IS A CONTROLLED DOCUMENT FOR AMP INCORPORATED. IT IS SUBJECT TO CHANGE AND THE CONTROLLING ENGINEERING ORGANIZATION SHOULD BE CONTACTED FOR THE LATEST REVISION.