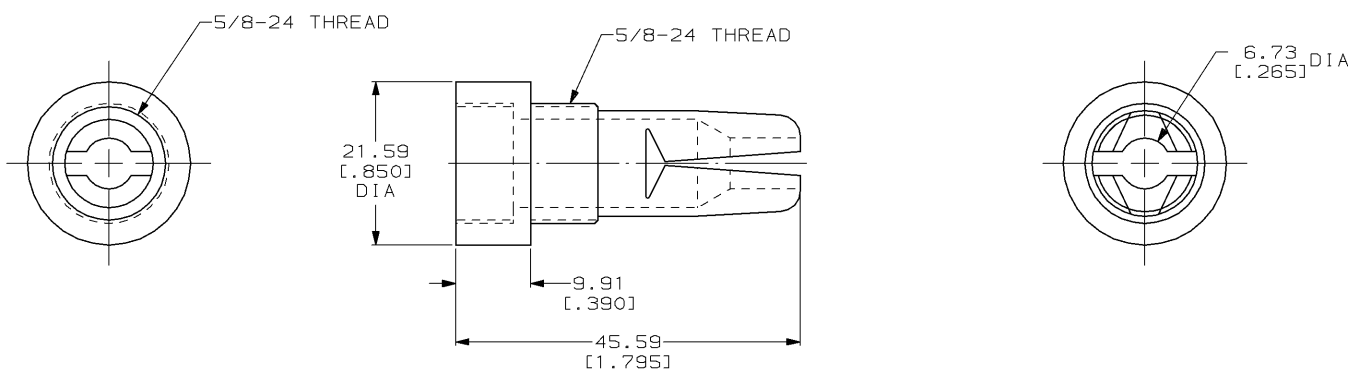


DRAWING MADE IN THIRD ANGLE PROJECTION

THIS DRAWING IS UNPUBLISHED. RELEASED FOR PUBLICATION, 19 .
 © COPYRIGHT 19 BY AMP INCORPORATED. ALL INTERNATIONAL RIGHTS RESERVED.

MOD	LOC	DIST	REVISIONS			
P	F	ZONE	LTR	DESCRIPTION	DATE	APPD
4	BD	35				
			C	REDRAWN W/O CHANGE PER EC 0020-600-94	06/20/94	AF



1. ACCEPTS CABLE RANGE FROM 3.81 [.150] TO 6.35 [.250] WHEN USED WITH FLEXIBLE BOOT 207489-1.

THIS DRAWING IS A CONTROLLED DOCUMENT FOR AMP INCORPORATED. IT IS SUBJECT TO CHANGE AND THE CONTROLLING ENGINEERING ORGANIZATION SHOULD BE CONTACTED FOR THE LATEST REVISION.

DO NOT SCALE PRINT. UNLESS SPECIFIED DIMENSIONS IN mm (INCHES) TOLERANCES ON: 2 PLC DEC ± 0.13 (.005) 3 PLC DEC ± - ANGLES ± -		DR 06/20/94 K. FOLTZ	AMP Incorporated Harrisburg, PA 17105-3608	207490-1 PART NO	
MATERIAL THERMOPLASTIC, COLOR: BLACK	CHK 06/24/94 R. STONE	NAME CABLE GRIP, INTERNAL SIZE 11, CPC			
FINISH -	APPD 08/08/94 A. FRANTUM	SIZE B		CAGE CODE 00779	DRAWING NO C=207490
	PRODUCT SPEC -	SCALE 2:1		SHEET 1 OF 1	

AMP 1470-15 REV 3-92
 20-JUN-94 16:41:23 amp33732 /home/sa026a/dept4023/amp33732/edmmod

CUSTOMER DRAWING