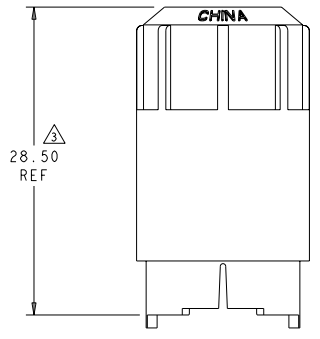
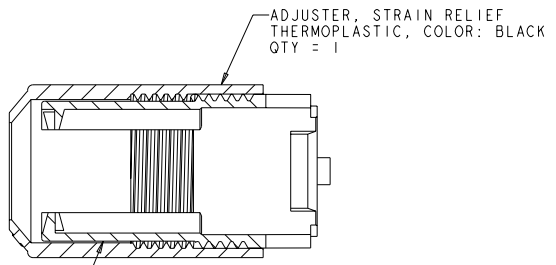
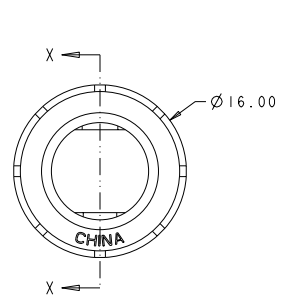


THIS DRAWING IS UNPUBLISHED. RELEASED FOR PUBLICATION
 © COPYRIGHT 20 BY TYCO ELECTRONICS CORPORATION. ALL RIGHTS RESERVED.

| LOC | | DIST | | REVISIONS | | | |
|-----|-----|-------------|-----------|-----------|------|----|----|
| P | LYR | DESCRIPTION | DATE | BY | APPD | SW | DC |
| 0 | | RELEASED | 28JAN2006 | | | | |



1. PARTS PACKAGED UNASSEMBLED.
 2. Ø 8.75 MAX CABLE.
- ⚠ LENGTH SHORTENS AS CABLE DIAMETER OR BUNDLE SIZE BECOMES SMALLER.

| | |
|------------|-------------|
| INDIVIDUAL | 1604204-2 |
| BULK | 1604204-1 |
| PACKAGING | PART NUMBER |

| | | | |
|---|---|---|--|
| <small>THE INFORMATION CONTAINED HEREON IS THE PROPERTY OF TYCO ELECTRONICS CORPORATION AND IS UNCLASSIFIED EXCEPT WHERE SHOWN OTHERWISE.</small> | | DNR S_WLEST 27MAR2002 CMC G_DOLTY 27MAR2002 D_COLES 20JAN2006 | Tyco Electronics Harrisburg, PA 17105-3600 |
| DIMENSIONS: mm | TOLERANCES UNLESS OTHERWISE SPECIFIED: 0 PLC ±. 1 PLC ±. 2 PLC ±0.13 3 PLC ±. 4 PLC ±. ANGLES ± 90° FINISH | NAME PRODUCT SPEC APPLICATION SPEC | SIZE CASE CODE DRAWING NO A2 00779 © 1604204 |
| MATERIAL SEE CALLOUT | WEIGHT - | CUSTOMER DRAWING | RESTRICTED TO SCALE 4:1 SHEET 1 OF 1 REV 0 |