

4

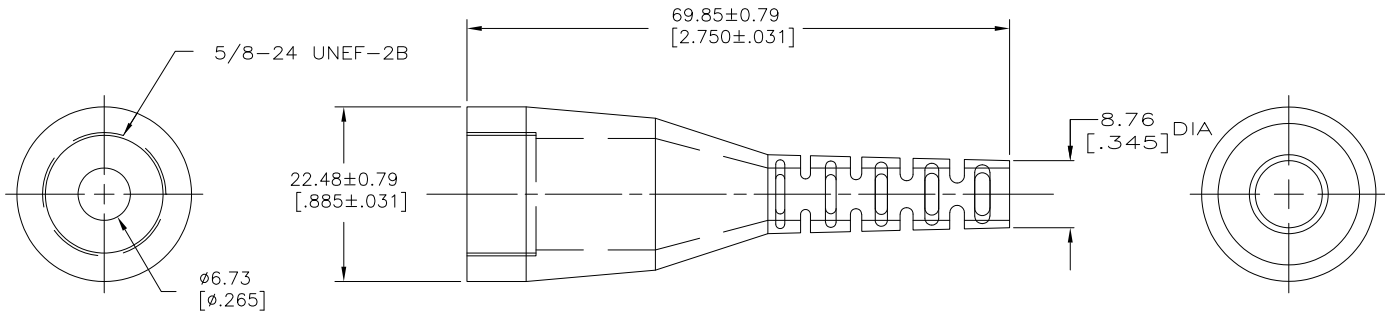
3

2

1

THIS DRAWING IS UNPUBLISHED. RELEASED FOR PUBLICATION  
 © COPYRIGHT - By - ALL RIGHTS RESERVED.

LOC	DIST	REVISIONS			
P	LTR	DESCRIPTION	DATE	DWN	APVD
	BD 35				
C1		REVISED PER ECO-11-005027	11MAR11	RK	HMR



1. CABLE RANGE IS 3.81 [.150] - 6.35 [.250] WHEN USED WITH CABLE GRIPPER P/N 207490-1.

207489-1  
PART NO

THIS DRAWING IS A CONTROLLED DOCUMENT.		DWN M. BINNER 07/29/94		
		CHK R. STONE 8-8-94		
DIMENSIONS: mm [INCHES]		APVD A. FRANTUM 8-9-94	NAME CABLE BOOT, FLEXIBLE, SIZE II, CPC	
TOLERANCES UNLESS OTHERWISE SPECIFIED: 0 PLC ± - 1 PLC ± - 2 PLC ± 0.13 [.005] 3 PLC ± - 4 PLC ± - ANGLES ± -		PRODUCT SPEC -	APPLICATION SPEC -	RESTRICTED TO -
MATERIAL THERMOPLASTIC COLOR: BLACK		FINISH -	WEIGHT -	SIZE A3
		CAGE CODE 00779	DRAWING NO C-207489	SCALE 2:1
		CUSTOMER DRAWING		SHEET 1 OF 1 REV C1