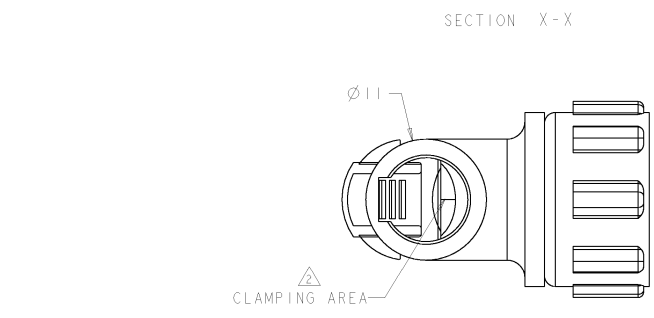
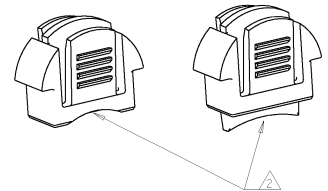
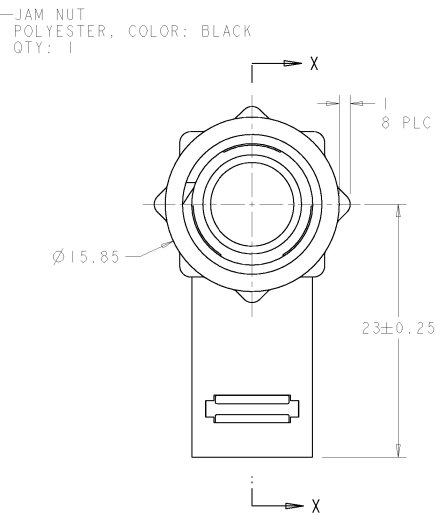
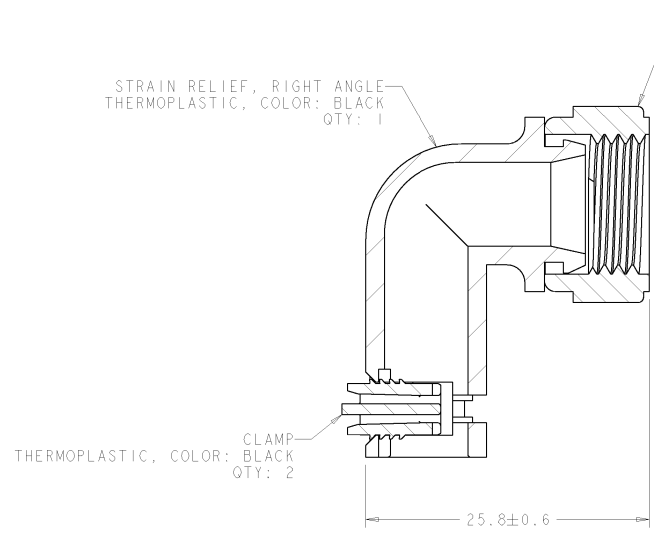


REVISIONS				
REV	DATE	BY	CHKD	DESCRIPTION
B	21JAN2004	SW	HW	RELEASED EC 063B-0884-03



- △ PARTS PACKAGED UNASSEMBLED.
- △ CABLE CLAMPING AREA ADJUSTABLE FROM 0.76mm² TO 15.8mm².
- 3. OUTSIDE CABLE DIAMETER: 4.4 MAXIMUM.

BULK	1445771-2
INDIVIDUAL	1445771-1
PACKAGING	PART NUMBER

DIMENSIONS: $\frac{1}{16}$ INCHES (1.27mm) UNLESS OTHERWISE SPECIFIED. DIMENSIONS ARE TO CENTER UNLESS OTHERWISE SPECIFIED.		DWN: JLAUG2001 SHANE WILES CBY: Z1AUG2001 G. DOUTY APD: B.WAFEM Z1JAN2004	TICO Electronics Harrisburg, PA 17105-3608
DIMENSIONS: mm 0 PLC ±0.13 1 PLC ±0.13 2 PLC ±0.13 3 PLC ±0.13 4 PLC ±0.13 5 PLC ±0.13 6 PLC ±0.13 7 PLC ±0.13 8 PLC ±0.13 9 PLC ±0.13 10 PLC ±0.13 11 PLC ±0.13 12 PLC ±0.13 13 PLC ±0.13 14 PLC ±0.13 15 PLC ±0.13 16 PLC ±0.13 17 PLC ±0.13 18 PLC ±0.13 19 PLC ±0.13 20 PLC ±0.13 21 PLC ±0.13 22 PLC ±0.13 23 PLC ±0.13 24 PLC ±0.13 25 PLC ±0.13 26 PLC ±0.13 27 PLC ±0.13 28 PLC ±0.13 29 PLC ±0.13 30 PLC ±0.13 31 PLC ±0.13 32 PLC ±0.13 33 PLC ±0.13 34 PLC ±0.13 35 PLC ±0.13 36 PLC ±0.13 37 PLC ±0.13 38 PLC ±0.13 39 PLC ±0.13 40 PLC ±0.13 41 PLC ±0.13 42 PLC ±0.13 43 PLC ±0.13 44 PLC ±0.13 45 PLC ±0.13 46 PLC ±0.13 47 PLC ±0.13 48 PLC ±0.13 49 PLC ±0.13 50 PLC ±0.13 51 PLC ±0.13 52 PLC ±0.13 53 PLC ±0.13 54 PLC ±0.13 55 PLC ±0.13 56 PLC ±0.13 57 PLC ±0.13 58 PLC ±0.13 59 PLC ±0.13 60 PLC ±0.13 61 PLC ±0.13 62 PLC ±0.13 63 PLC ±0.13 64 PLC ±0.13 65 PLC ±0.13 66 PLC ±0.13 67 PLC ±0.13 68 PLC ±0.13 69 PLC ±0.13 70 PLC ±0.13 71 PLC ±0.13 72 PLC ±0.13 73 PLC ±0.13 74 PLC ±0.13 75 PLC ±0.13 76 PLC ±0.13 77 PLC ±0.13 78 PLC ±0.13 79 PLC ±0.13 80 PLC ±0.13 81 PLC ±0.13 82 PLC ±0.13 83 PLC ±0.13 84 PLC ±0.13 85 PLC ±0.13 86 PLC ±0.13 87 PLC ±0.13 88 PLC ±0.13 89 PLC ±0.13 90 PLC ±0.13 91 PLC ±0.13 92 PLC ±0.13 93 PLC ±0.13 94 PLC ±0.13 95 PLC ±0.13 96 PLC ±0.13 97 PLC ±0.13 98 PLC ±0.13 99 PLC ±0.13 100 PLC ±0.13	PRODUCT SPEC: - APPLICATION SPEC: - WEIGHT: - FINISH: -	ASSEMBLY, STRAIN RELIEF, RIGHT ANGLE, MINI CPC SIZE: A2 CASE CODE: 100779 DRAWING NO: 1445771 RESTRICTED TO: -	
MATERIAL: -		CUSTOMER DRAWING	SCALE: 4:1 SHEET 1 OF 1 REV B