

4

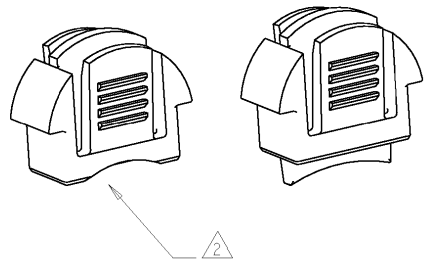
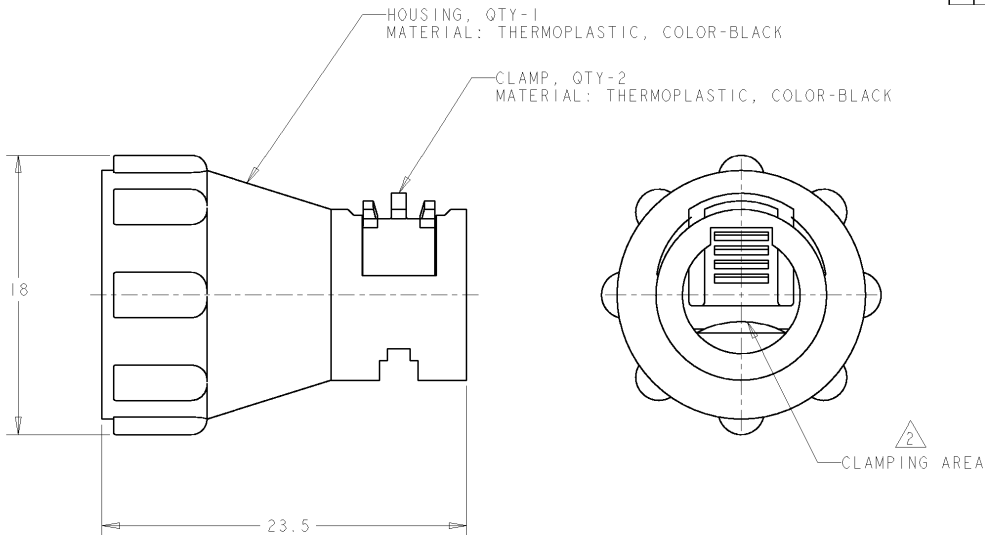
3

2

1

THIS DRAWING IS UNPUBLISHED. RELEASED FOR PUBLICATION  
 © COPYRIGHT 20 BY TYCO ELECTRONICS CORPORATION. ALL RIGHTS RESERVED.

LOC	DIST	REVISIONS				
P	LTR	DESCRIPTION	DATE	DWN	APVD	
	0					
A		RELEASED EC 063B-0568-03	11JUL2003	SW	HW	



- 1. PARTS PACKAGED UNASSEMBLED.
- 2. CABLE CLAMPING AREA ADJUSTABLE FROM 0.76mm<sup>2</sup> TO 15.8mm<sup>2</sup>.
- 3. 4.4 MAXIMUM CABLE OUTSIDE DIAMETER.

BULK	1445760-02
INDIVIDUAL	1445730-01
PACKAGING	PART NUMBER

<small>THIS DRAWING IS A CONTROLLED DOCUMENT FOR TYCO ELECTRONICS CORPORATION        IT IS SUBJECT TO CHANGE AND THE CONTROLLING ENGINEERING ORGANIZATION        SHOULD BE CONTACTED FOR THE LATEST REVISION.</small>		DWN 02AUG2001 SHANE WIEST CHG 02AUG2001 G DOUTY APVD 11JUL2003 H WAKFEM	Tyco Electronics Harrisburg, PA 17105-3608
DIMENSIONS: mm 	TOLERANCES UNLESS OTHERWISE SPECIFIED: 0 PLC ± 1 PLC ± 2 PLC ±0.13 3 PLC ± 4 PLC ± ANGLES ± FINISH -	NAME ASSEMBLY, STRAIN RELIEF, VERTICAL SIZE 8, MINI CPC PRODUCT SPEC - APPLICATION SPEC - WEIGHT -	RESTRICTED TO - SIZE A3 CAGE CODE 00779 DRAWING NO. C-1445730
MATERIAL - SEE CALLOUT		CUSTOMER DRAWING	
		SCALE 4:1	SHEET 1 OF 1 REV A

AMP 1470-19 REV 31MAR2000  
 Proj/ENGINEER DRAWING