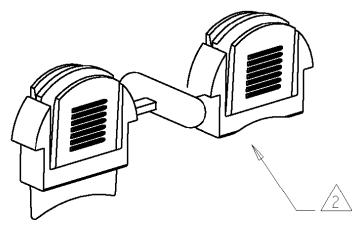
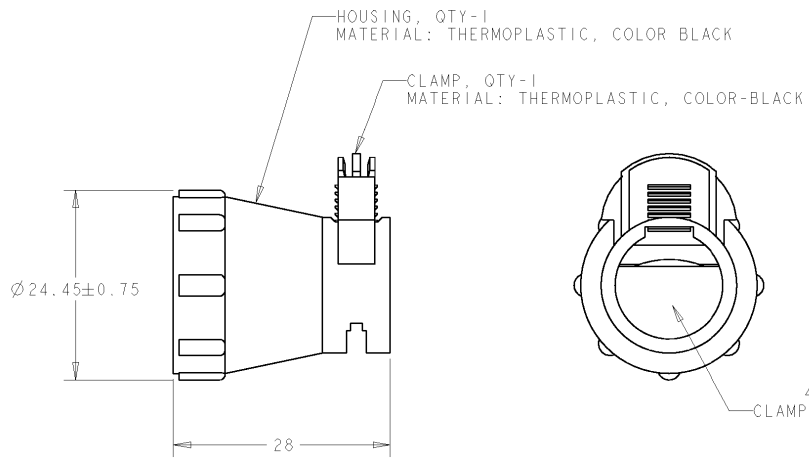


THIS DRAWING IS UNPUBLISHED. RELEASED FOR PUBLICATION
 © COPYRIGHT 20 BY TYCO ELECTRONICS CORPORATION. ALL RIGHTS RESERVED.

LOC	DIST	REVISIONS				
P	LTR	DESCRIPTION	DATE	DWN	APVD	
FT	0	A	RELEASED EC 063B-0881-04	13OCT2004	SW HW	



- 1. PARTS PACKAGED UNASSEMBLED.
- △ CABLE CLAMPING AREA ADJUSTABLE FROM 2.35mm² TO 114.45mm².
2 CLAMPS SUPPLIED PER ASSEMBLY.
- 3. MAXIMUM CABLE IS Ø12.

BULK	1445856-2
INDIVIDUAL	1445856-1
PACKAGING	PART NUMBER

<small>THIS DRAWING IS A CONTROLLED DOCUMENT FOR TYCO ELECTRONICS CORPORATION IT IS SUBJECT TO CHANGE AND THE CONTROLLING ENGINEERING ORGANIZATION SHOULD BE CONTACTED FOR THE LATEST REVISION.</small>		OWN SHANE WLEST 11OCT2001 CHR G DOUTY 11OCT2001 APVD H WAKFEM 16JUN2003	tyco Electronics Tyco Electronics Harrisburg, PA 17105-3608
DIMENSIONS: mm 	TOLERANCES UNLESS OTHERWISE SPECIFIED: 0 PLC ± 1 PLC ± 2 PLC ±0.13 3 PLC ± 4 PLC ± ANGLES ±	PRODUCT SPEC APPLICATION SPEC WEIGHT	NAME ASSEMBLY, VERTICAL, STRAIN RELIEF, SIZE II, MINI CPC SIZE CAGE CODE DRAWING NO RESTRICTED TO A3 00779 C-1445856
MATERIAL SEE CALLOUT	FINISH SEE CALLOUT	CUSTOMER DRAWING	SCALE 2:1 SHEET 1 OF 1 REV A

AMP 1470-19 REV 31MAR2000
 Proj/ENGINEER DRAWING