

4

3

2

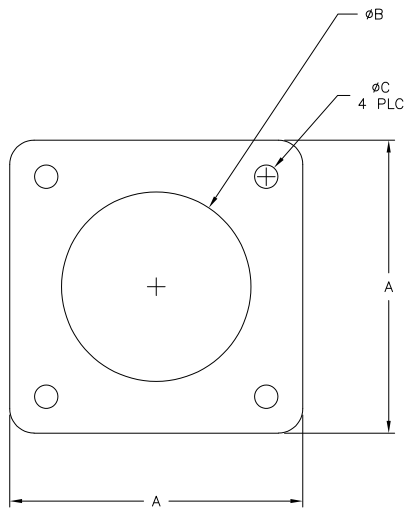
1

THIS DRAWING IS UNPUBLISHED. RELEASED FOR PUBLICATION
 © COPYRIGHT - By - ALL RIGHTS RESERVED.

LOC	DIST	REVISIONS				
P	LTR	DESCRIPTION	DATE	DWN	APVD	
	C1	REVISED PER ECO-11-004820	11MAR11	RK	HMR	

NOTES:

- ⚠ MATERIAL: NEOPRENE, BLACK.
- ⚠ PRELIMINARY PART NUMER.



⚠	.125	1.030	1.185	14	81665-8
⚠	.120	1.110	1.530	22	81665-7
⚠	.142	1.492	1.950	28	81665-6
	.145	1.488	1.875	23	81665-5
	.120	.862	1.375	13	81665-4
	.120	.737	1.188	11	81665-3
	.145	1.100	1.500	17	81665-2
	.120	.970	1.500	-	81665-1
	C	B	A	CPC SHELL SIZE	PART NO.

THIS DRAWING IS A CONTROLLED DOCUMENT.		DWN S SCHLEGEL 16JUL03	TE Connectivity GASKET, FLANGE, CPC														
DIMENSIONS: INCHES		CHK S HEADER 7/16/03															
TOLERANCES UNLESS OTHERWISE SPECIFIED:		APVD S HEADER 7/16/03	NAME														
<table border="0"> <tr><td>0 PLC</td><td>± -</td></tr> <tr><td>1 PLC</td><td>± -</td></tr> <tr><td>2 PLC</td><td>± -</td></tr> <tr><td>3 PLC</td><td>± .015</td></tr> <tr><td>4 PLC</td><td>± -</td></tr> <tr><td>ANGLES</td><td>± -</td></tr> </table>		0 PLC	± -	1 PLC	± -	2 PLC	± -	3 PLC	± .015	4 PLC	± -	ANGLES	± -	PRODUCT SPEC	GASKET, FLANGE, CPC		
0 PLC	± -																
1 PLC	± -																
2 PLC	± -																
3 PLC	± .015																
4 PLC	± -																
ANGLES	± -																
MATERIAL		APPLICATION SPEC	RESTRICTED TO														
FINISH		WEIGHT	SIZE	CAGE CODE	DRAWING NO												
-		-	A3	00779	C-81665												
CUSTOMER DRAWING			SCALE	SHEET	REV												
			NTS	1 OF 1	C1												