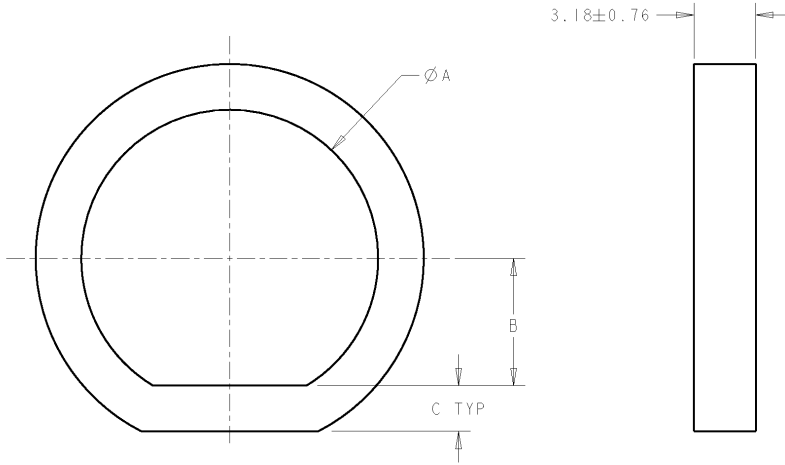


THIS DRAWING IS UNPUBLISHED. RELEASED FOR PUBLICATION
 COPYRIGHT 20 BY TYCO ELECTRONICS CORPORATION. ALL RIGHTS RESERVED.

LOC	DIST	REVISIONS			
P	LTR	DESCRIPTION	DATE	DWN	APVD
A		RELEASED EC 0G3B-0326-03	18JUL2003	SW	HW
B		REVISED EC 0G3B-0990-04	27OCT2004	SW	HW
C		REVISED ECO-06-010742	23MAY2006	SW	DC
C 1		REVISED PER ECO-10-000445	29JAN10	KK	HMR



- 1 MATERIAL: NEOPRENE CLOSED CELL SPONGE, COLOR-BLACK.
- 2 OBSOLETE PARTS : OBSOLETE CIS STREAMLINING PER D.RENAUD/D.SINISI

PRELIMINARY	1.50	6.55	15.3	1445420-8
	2.35	10.5	23.1	1445420-7
1 OBSOLETE	2.35	5.25	12.5	1445420-6
	2.35	6.0	14.0	1445420-5
2 OBSOLETE	2.35	4.2	9.25	1445420-4
	2.35	4.5	10.9	1445420-3
	2.35	8.5	18.5	1445420-2
	2.35	6.55	15.3	1445420-1
	C	B	A	PART NUMBER

<small>THIS DRAWING IS A CONTROLLED DOCUMENT FOR TYCO ELECTRONICS CORPORATION. IT IS SUBJECT TO CHANGE AND THE CONTROLLING ENGINEERING ORGANIZATION SHOULD BE CONTACTED FOR THE LATEST REVISION.</small>		DWN 04JUN2003 G DOWTY CHG 18JUL2003 H WALEEM APVD 18JUL2003 H WAKFEM	tyco Electronics Tyco Electronics Harrisburg, PA 17105-3608
DIMENSIONS: mm	TOLERANCES UNLESS OTHERWISE SPECIFIED: 0 PLC ±0 1 PLC ±0.51 2 PLC ±0.51 3 PLC ± 4 PLC ± ANGLES ±	NAME SEAL, PANEL PRODUCT SPEC - APPLICATION SPEC - WEIGHT -	SIZE A3 CAGE CODE 00779 DRAWING NO C-1445420 RESTRICTED TO -
MATERIAL 1	FINISH -	CUSTOMER DRAWING SCALE 5:1 SHEET 1 OF 1 REV C1	