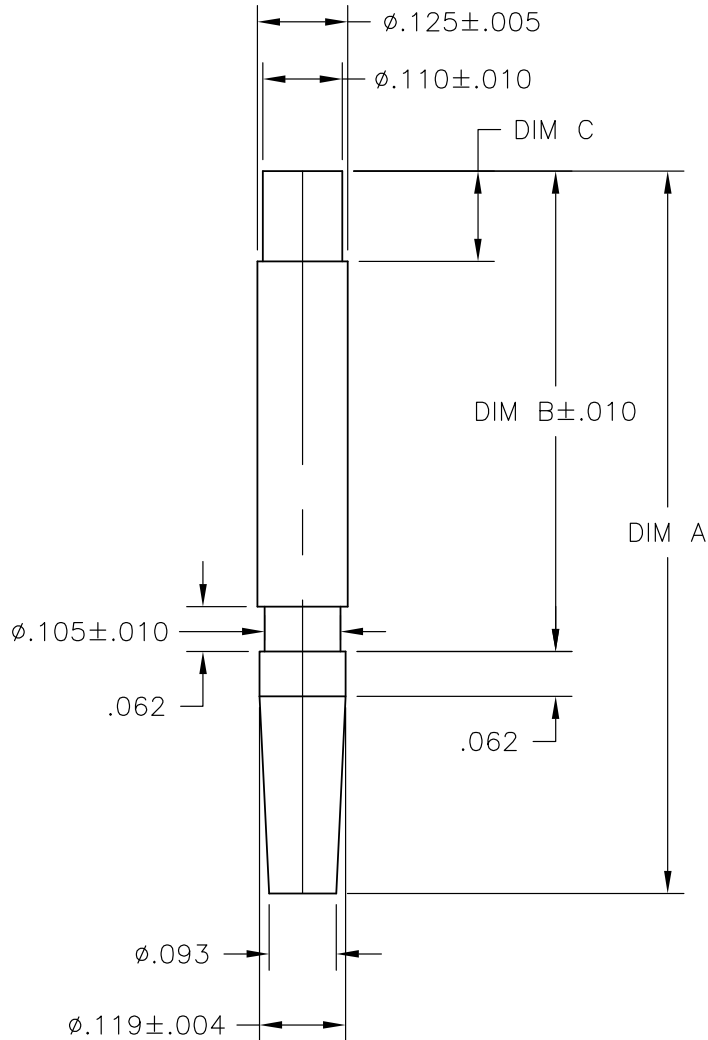


LOC	DIST	REVISIONS					
FT	0	P	LTR	DESCRIPTION	DATE	DWN	APVD
			H1	REVISED PER ECO-11-004820	11MAR11	RK	HMR



-	.486	.821	FLUSH MOUNT FOR STANDARD RECEPTACLE. STANDARD PACKAGING	200821-4
.067	.607	.942	FLUSH MOUNT FOR STANDARD PLUG. STANDARD PACKAGING	200821-3
.125	.665	1.000	SMALL PACK PACKAGING	200821-2
.125	.665	1.000	STANDARD PACKAGING	200821-1
DIM C	DIM B	DIM A	DESCRIPTION	PART NO.

THIS DRAWING IS UNPUBLISHED. ALL RIGHTS RESERVED.

DIMENSIONS:	
INCHES	
TOLERANCES UNLESS OTHERWISE SPECIFIED:	
0 PLC	± -
1 PLC	± -
2 PLC	± -
3 PLC	± .005
4 PLC	± -
ANGLES	± -

DWN	S SCHLEGEL	05FEB03
CHK	G STEINHAEUER	2/25/93
APVD	R STONE	2/25/93
PRODUCT SPEC	-	
APPLICATION SPEC	-	
WEIGHT	-	

MATERIAL		NYLON	FINISH	-
NAME				
KEYING PLUG CONTACT SIZE 16 & 20, M SERIES				
SIZE	CAGE CODE	DRAWING NO	RESTRICTED TO	
A4	00779	C-200821	-	
CUSTOMER DRAWING		SCALE	4:1	SHEET 1 OF 1
		REV	H1	