

4

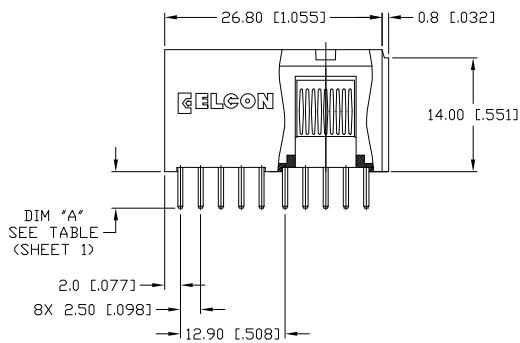
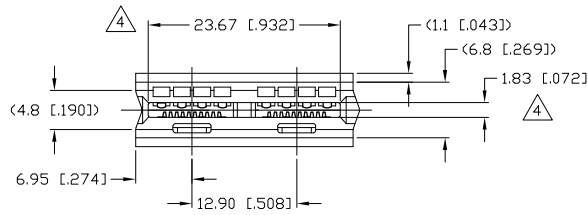
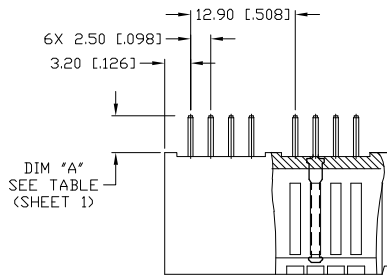
3

2

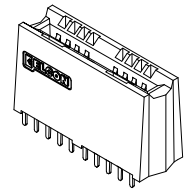
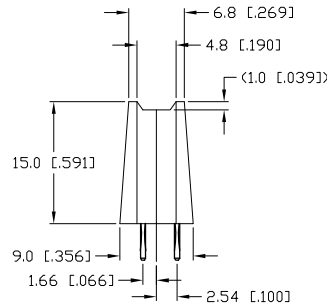
1

THIS DRAWING IS UNPUBLISHED. RELEASED FOR PUBLICATION
 © COPYRIGHT 2006 BY TYCO ELECTRONICS CORPORATION. ALL RIGHTS RESERVED.

LOC	DIST	REVISIONS				
P	LTR	DESCRIPTION	DATE	DWN	APVD	
GP	00	SEE SHEET 1	-	-	-	



VIEW SHOWN (SOLDER TAILS)
 P/N'S 6643460-1 & -2



THIS DRAWING IS A CONTROLLED DOCUMENT.

DIMENSIONS:	TOLERANCES UNLESS OTHERWISE SPECIFIED:	DWN	04JAN2007		Tyco Electronics Corporation Harrisburg, PA 17105-3608		
mm		CHK	04JAN2007				
		APVD	04JAN2007				
		NAME	S.FLICKINGER				
		PRODUCT SPEC			SOCKET CONNECTOR, CROWN EDGE		
		APPLICATION SPEC					
		WEIGHT		SIZE	CAGE CODE	DRAWING NO	RESTRICTED TO
MATERIAL	FINISH			A3	00779	C-6643460	
				CUSTOMER DRAWING			SCALE
							1:1
							SHEET
							2 of 6
							REV
							B

4

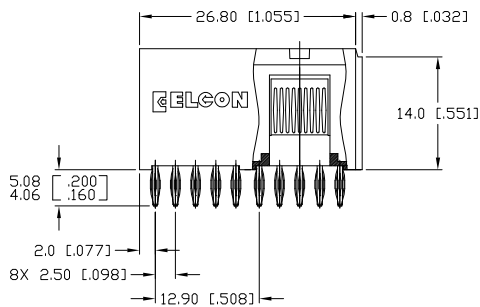
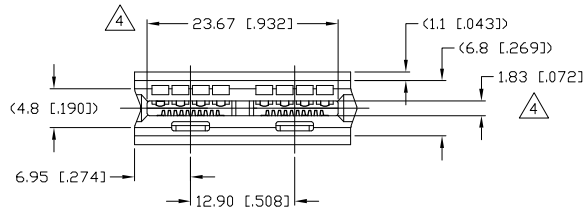
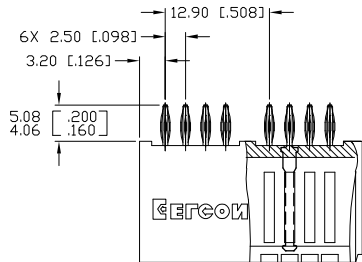
3

2

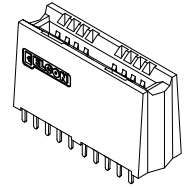
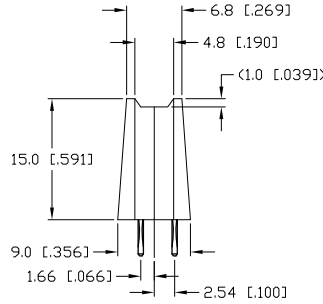
1

THIS DRAWING IS UNPUBLISHED. RELEASED FOR PUBLICATION
 © COPYRIGHT 2006 BY TYCO ELECTRONICS CORPORATION. ALL RIGHTS RESERVED.

LOC	DIST	REVISIONS				
P	LTR	DESCRIPTION	DATE	DWN	APVD	
GP	00	SEE SHEET 1	-	-	-	



VIEW SHOWN (COMPLIANT TAILS)
 P/N'S 6643460-3



THIS DRAWING IS A CONTROLLED DOCUMENT.		DWN G. PETERS 04JAN2007	Tyco Electronics Corporation Harrisburg, PA 17105-3608	
DIMENSIONS: mm		CHK D. ORRIS 04JAN2007	NAME S. FLICKINGER	
TOLERANCES UNLESS OTHERWISE SPECIFIED: 0 PLC ± - 1 PLC ± .5 [010] 2 PLC ± .25 [020] 3 PLC ± - 4 PLC ± - ANGLES ± .5		APVD S. FLICKINGER 04JAN2007	PRODUCT SPEC - APPLICATION SPEC -	
MATERIAL -	FINISH -	WEIGHT -	SIZE A3	CAGE CODE 00779
		DRAWING NO C-6643460	RESTRICTED TO -	
CUSTOMER DRAWING			SCALE 1:1	SHEET 3 of 6
			REV B	

4

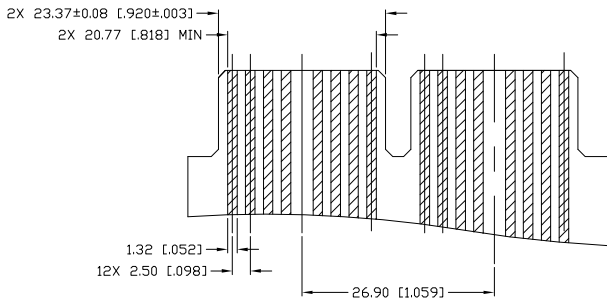
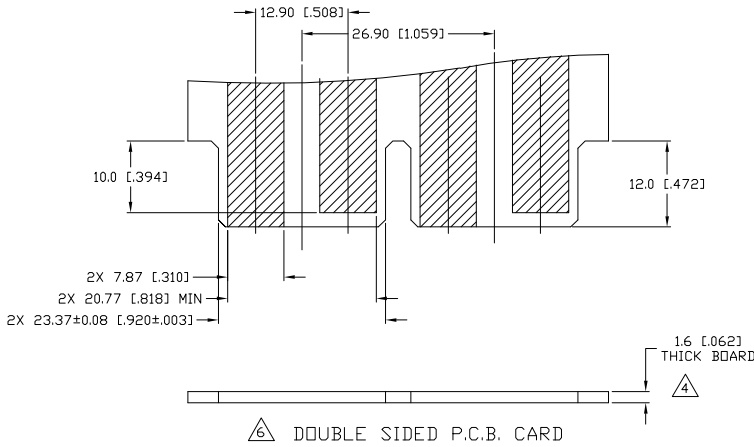
3

2

1

THIS DRAWING IS UNPUBLISHED. RELEASED FOR PUBLICATION
 © COPYRIGHT 2006 BY TYCO ELECTRONICS CORPORATION. ALL RIGHTS RESERVED.

LOC	DIST	REVISIONS				
P	LTR	DESCRIPTION	DATE	DWN	APVD	
GP	00	SEE SHEET 1	-	-	-	



THIS DRAWING IS A CONTROLLED DOCUMENT.		DWN G. PETERS 04JAN2007	Tyco Electronics Corporation Harrisburg, PA 17105-3608	
DIMENSIONS: mm		CHK D. ORRIS 04JAN2007	Tyco Electronics	
TOLERANCES UNLESS OTHERWISE SPECIFIED:		APVD S. FLICKINGER 04JAN2007	NAME SOCKET CONNECTOR, CROWN EDGE	
0 PLC ± -		PRODUCT SPEC	RESTRICTED TO	
1 PLC ± .5 [010]		APPLICATION SPEC	SIZE A3	CAGE CODE 00779
2 PLC ± .25 [020]		WEIGHT	DRAWING NO 6643460	DRAWING NO 6643460
3 PLC ± -		CUSTOMER DRAWING	SCALE 1:1	SHEET 4 of 6
4 PLC ± -				REV B
ANGLES ± .5				
MATERIAL	FINISH			

AMP 1470-19 REV 31MAR2000

4

3

2

1

THIS DRAWING IS UNPUBLISHED.

RELEASED FOR PUBLICATION

© COPYRIGHT 2006

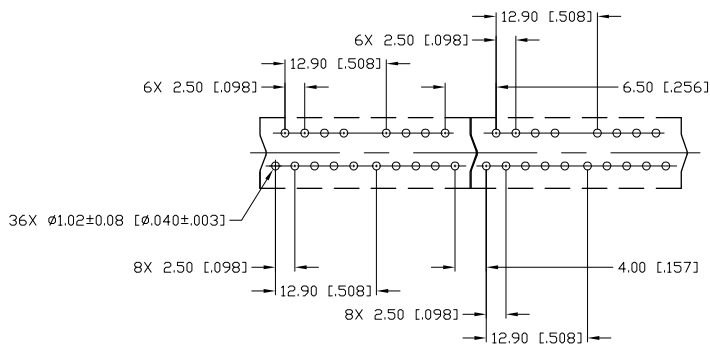
BY TYCO ELECTRONICS CORPORATION.

ALL RIGHTS RESERVED.

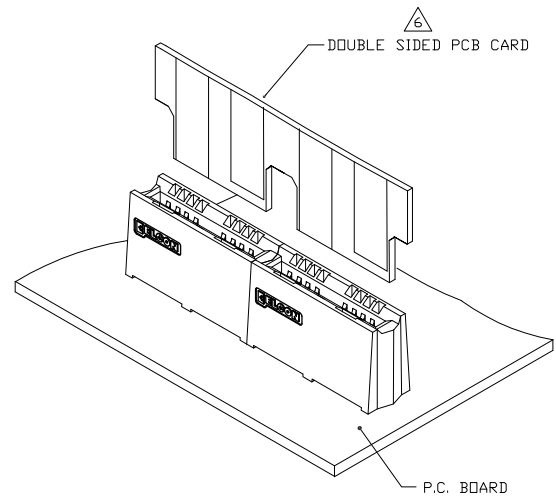
LOC
GP 00

REVISIONS

P	LTR	DESCRIPTION	DATE	DWN	APVD
-	-	SEE SHEET 1	-	-	-



△ 5 RECOMMENDED P.C. BOARD LAYOUT



THIS DRAWING IS A CONTROLLED DOCUMENT.

DWN G.PETERS 04JAN2007

Tyco Electronics Corporation
Harrisburg, PA 17105-3608

DIMENSIONS:

TOLERANCES UNLESS
OTHERWISE SPECIFIED:

0	PLC	± .
1	PLC	± .5 [.010]
2	PLC	± .25 [.020]
3	PLC	± .
4	PLC	± .
ANGLES		± .5

MATERIAL

FINISH

CHK D.ORRIS 04JAN2007

APVD S.FLICKINGER 04JAN2007

NAME

SOCKET CONNECTOR,
CROWN EDGE

PRODUCT SPEC

APPLICATION SPEC

WEIGHT

SIZE CAGE CODE DRAWING NO

A3 00779 C-6643460

RESTRICTED TO

CUSTOMER DRAWING

SCALE 1:1

SHEET 5 of 6

REV B

AMP 1470-19 REV 31MAR2000

4

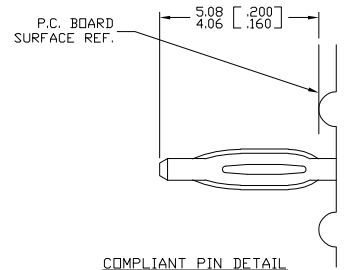
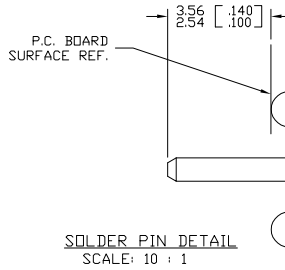
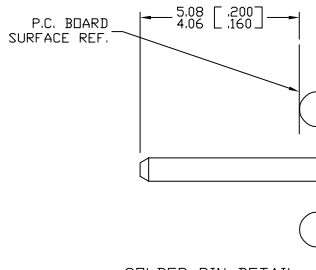
3

2

1

THIS DRAWING IS UNPUBLISHED. RELEASED FOR PUBLICATION
 © COPYRIGHT 2006 BY TYCO ELECTRONICS CORPORATION. ALL RIGHTS RESERVED.

LOC	DIST	REVISIONS			
P	LTR	DESCRIPTION	DATE	DWN	APVD
GP	00	SEE SHEET 1	-	-	-



RECOMMENDED PRINTED CIRCUIT HOLE
 SOLDER OR COMPLIANT PRESS FIT
 FINISHED HOLE: $\phi 1.02$ [.040] $\pm .08$ [.003]
 DRILLED HOLE: $\phi 1.15$ [.0453] $\pm .013$ [.0005]
 COPPER PLATE: .025 [.0010] MINIMUM (PER SURFACE)
 TIN PLATE: .008 [.0003] MINIMUM (PER SURFACE)

THIS DRAWING IS A CONTROLLED DOCUMENT.		DWN G. PETERS 04JAN2007	Tyco Electronics Corporation Harrisburg, PA 17105-3608	
DIMENSIONS: mm		CHK D. ORRIS 04JAN2007	Tyco Electronics	
TOLERANCES UNLESS OTHERWISE SPECIFIED: 0 PLC ± - 1 PLC ± .5 [.010] 2 PLC ± .25 [.020] 3 PLC ± - 4 PLC ± - ANGLES ± .5		APVD S. FLICKINGER 04JAN2007	NAME SOCKET CONNECTOR, CROWN EDGE	
MATERIAL -		FINISH -	PRODUCT SPEC -	RESTRICTED TO -
-		APPLICATION SPEC -	SIZE A3	CAGE CODE 00779
-		WEIGHT -	DRAWING NO C-6643460	DRAWING NO -
-		CUSTOMER DRAWING	SCALE 1:1	SHEET 6 OF 6
-			REV B	