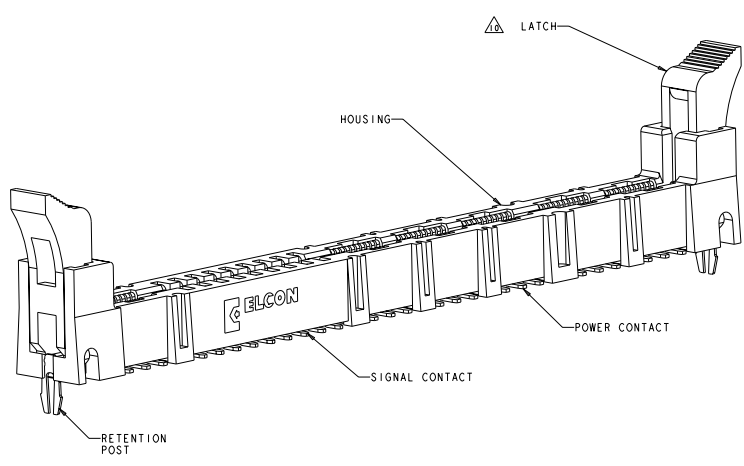


REV. NO.		REVISIONS	
DATE	BY	DESCRIPTION	APPROVED
C	REV PER ECO-08-031583		



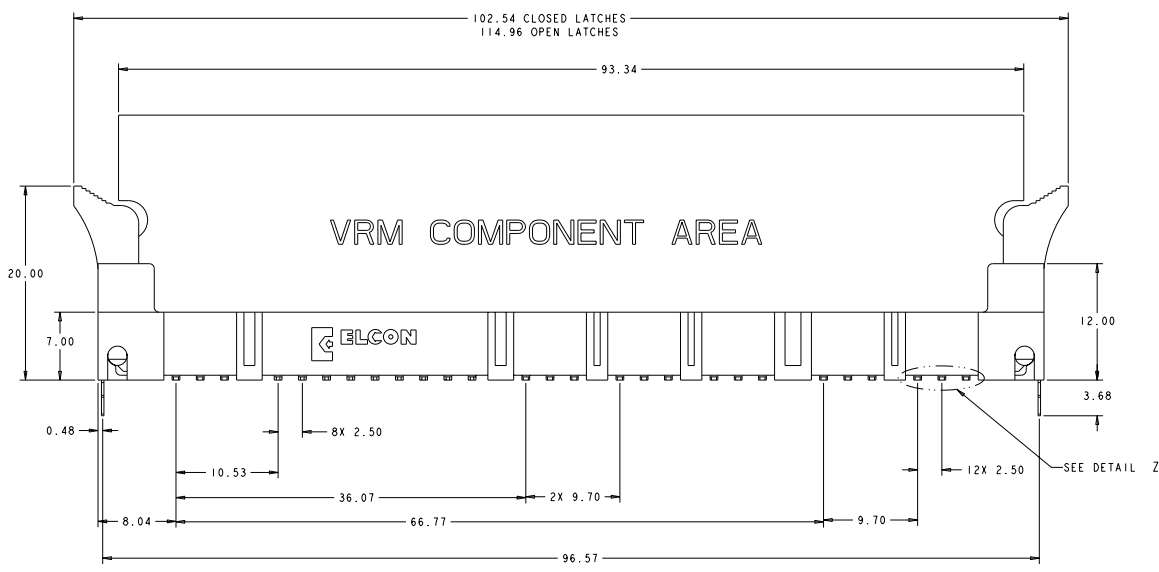
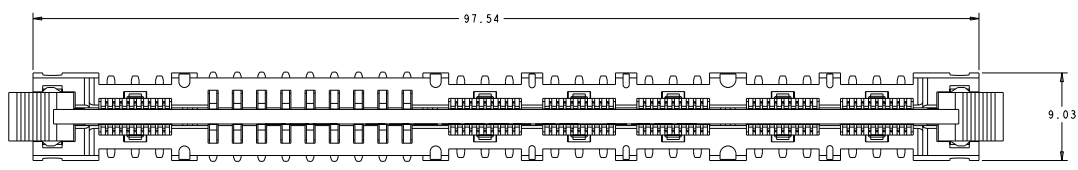
- PART NUMBER CHANGES AND OR DESIGN CHANGES AFFECTING ITEM INTERCHANGEABILITY REQUIRE PRIOR TYCO ELECTRONICS APPROVAL AND AUTHORIZATION BY REVISION TO THIS DRAWING.
- MATERIAL:
 - HOUSING: GLASS FILLED POLYESTER, COLOR-BLACK UL94V-0 FLAMMABILITY RATED
 - LATCHES: THERMOPLASTIC, GLASS REINFORCED COLOR: BLACK, UL94V-0 FLAMMABILITY RATED
 - CONTACTS: COPPER ALLOY
 - RETENTION POST: COPPER ALLOY
 - FINISH:
 - SIGNAL CONTACTS:
 - MATING AREA-0.76µm MIN GOLD OVER 3.81µm MIN NICKEL
 - 0.64µm MIN NICKEL PLATE OVER REMAINDER
 - SMT TAILS-3.81µm MIN MATTE TIN OVER NICKEL PLATE
 - POWER CONTACTS:
 - 1.27µm MIN NICKEL PLATE ALL OVER
 - MATING AREA-0.76µm MIN GOLD OVER NICKEL PLATE
 - SMT TAILS-3.05µm MIN TIN OVER NICKEL PLATE
 - RETENTION POSTS:
 - 3.05µm MIN MATTE TIN OVER 0.63µm MIN NICKEL
- ITEMS PROVIDED TO THIS SPECIFICATION TO BE PERMANENTLY IDENTIFIED WITH PART NUMBER AND DATE CODE.
 - MAXIMUM BURR OF 0.013 ON CARD TAB AREA.
 - SET TRACE BACK FROM PC BOARD EDGE. NO SOLDERMASK ALLOWED BETWEEN PC BOARD EDGE AND TRACE.
 - CONNECTOR ACCEPTS 1.57±0.13 THICK PC BOARD.
 - KEEP OUT AREA FOR COMPONENTS ONLY.
 - FEATURE REQUIRED FOR USE WITH LATCH.
 - CAUTION:
 - LATCHES ARE INTENDED FOR RETENTION OF PC BOARD TO CONNECTOR. DO NOT ATTEMPT TO FULLY EJECT PC BOARD FROM CONNECTOR WHILE DISENGAGING LATCHES, DAMAGE TO LATCHES AND OR CONNECTOR MAY OCCUR.
 - RECOMMENDED GOLD FINGER LENGTH FOR RELIABLE CONTACT.
 - DATUMS AND BASIC DIMENSIONS ESTABLISHED BY CUSTOMER.
- FOR DESIGN OBJECTIVES SEE 108-2301.

AS SHOWN	1766336-1
DESCRIPTION	PART NO.

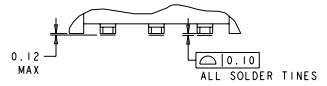
DATE: 08/27/05 TIME: 11:05:36 AM USER: jk PROJECT: 1766336-1		TITLE: SOCKET CONNECTOR ASSEMBLY WITH LATCHES MC-P659 MINI CROWN EDGE DRAWING NO: 1766336-1	
PART NO: 1766336-1 REV: A DATE: 08/27/05	MANUFACTURER: TYCO ELECTRONICS CORPORATION PART NO: 1766336-1	DRAWING NO: 1766336-1 REV: A DATE: 08/27/05	TITLE: SOCKET CONNECTOR ASSEMBLY WITH LATCHES MC-P659 MINI CROWN EDGE DRAWING NO: 1766336-1

DATE SHOWN IN DIMENSIONS: REVISIONS FOR FABRICATION
 BY THIS ELECTRONICS COMPANY. ALL RIGHTS RESERVED

REV	DATE	DESCRIPTION	BY	CHK	APP
GP	00	SEE SHEET 1			



VRM COMPONENT AREA

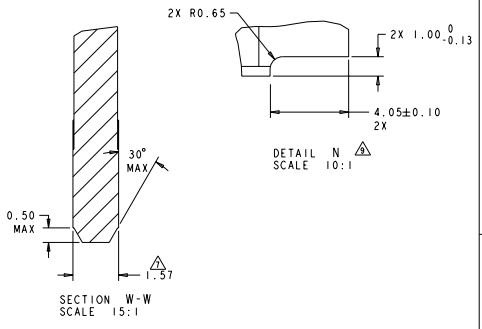
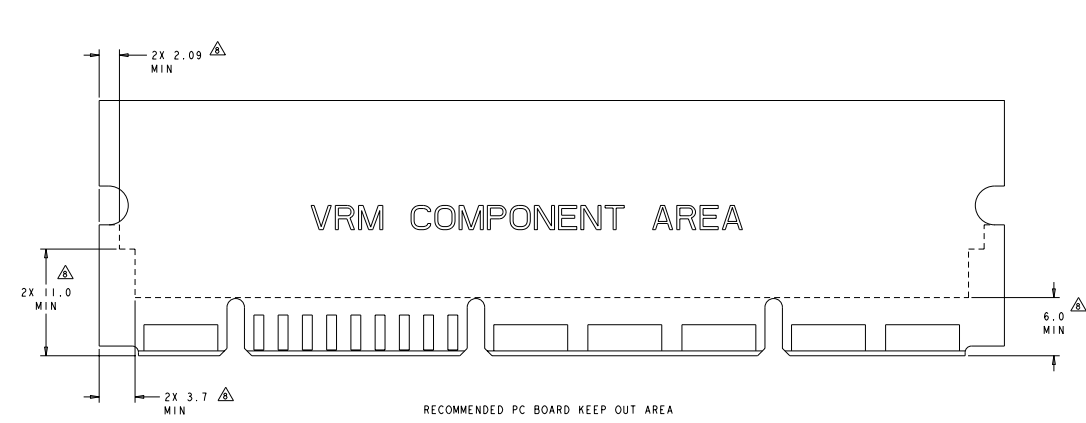
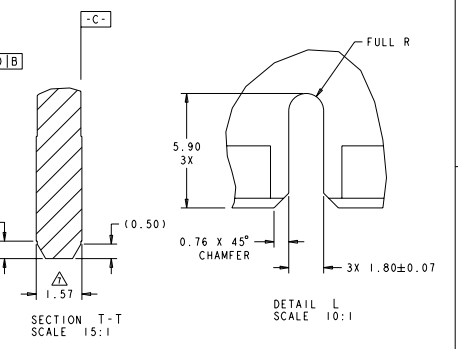
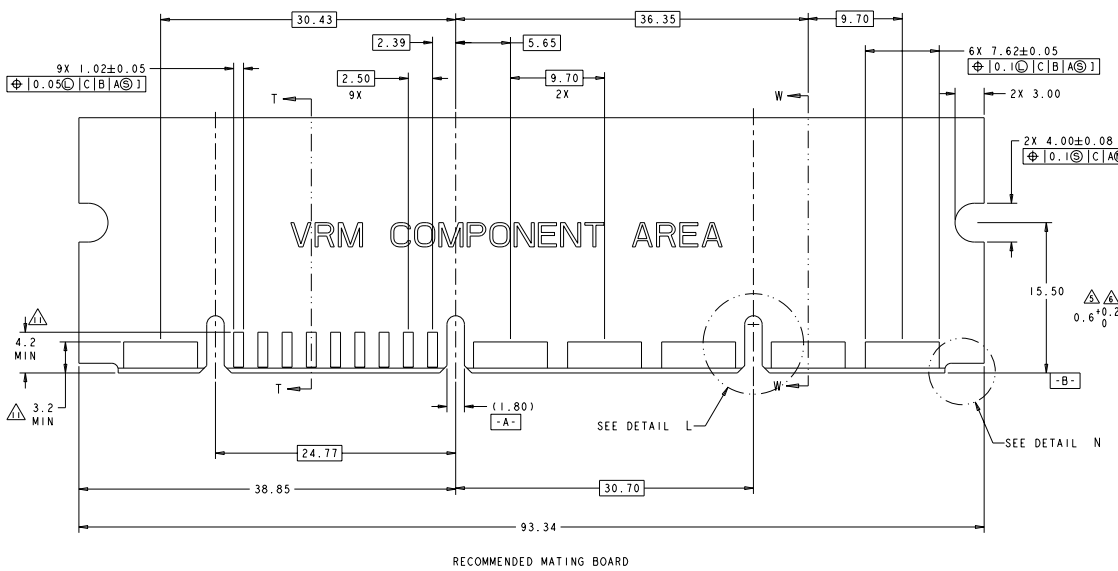


DETAIL Z
SCALE 10:1

DATE: 08/27/2007 TIME: 10:00 AM DRAWN BY: J. J. J.		PART NO: 1166336 REV: A QUANTITY: 10000		PROJECT: 00779	
CUSTOMER:		CUSTOMER DRAWING:		SCALE: 10:1	
TITLE: SOCKET CONNECTOR ASSEMBLY W/LATCHES MC-P659 MINI CROWN EDGE		DRAWN BY: J. J. J.		CHECKED BY: J. J. J.	
DATE: 08/27/2007		TIME: 10:00 AM		SHEET: 2 OF 2	

DATE: 08/12/2015 BY: PIERRE ELECTRONICS CORPORATION ALL RIGHTS RESERVED

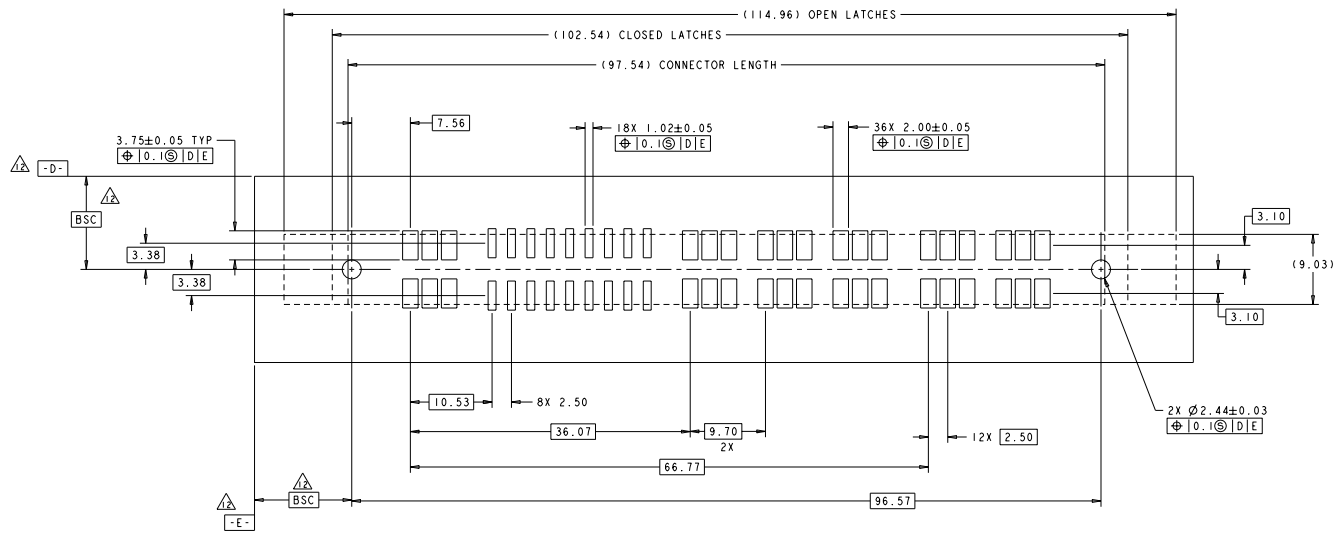
REV	DATE	DESCRIPTION	BY	CHK	APP
00		SEE SHEET 1			



DATE: 08/12/2015	BY: PIERRE ELECTRONICS CORPORATION	REV: 00	DESCRIPTION: SEE SHEET 1
SOCKET CONNECTOR ASSEMBLY W/LATCHES MC-P659 MINI CROWN EDGE		SIZE: 00779 SCALE: 1:1 SHEET: 3 OF 4	PART NUMBER: 1166336 CUSTOMER DRAWING

DATE REVISIONS TO IMPLEMENTED BY THIS ELECTRONICS CORPORATION. ALL RIGHTS RESERVED.
 6 7 8
 RECEIVED FOR FABRICATION
 00 00000000

REV	DATE	DESCRIPTION	BY	CHK	APP
00		SEE SHEET 1			



RECOMMENDED SOLDER LAND GUIDELINE
 AS VIEWED FROM CONNECTOR SIDE

DATE: 07/25/05 DRAWN BY: CHALLENGER/CHALLENGER		TITLE: SOCKET CONNECTOR ASSEMBLY W/LATCHES MC-P659 MINI CROWN EDGE	
PART: 00779 QTY: 10000		STATE: CA COUNTRY: USA CUSTOMER DRAWING	