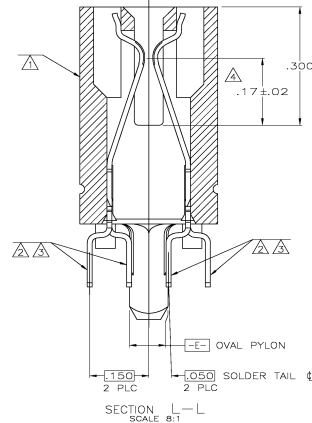
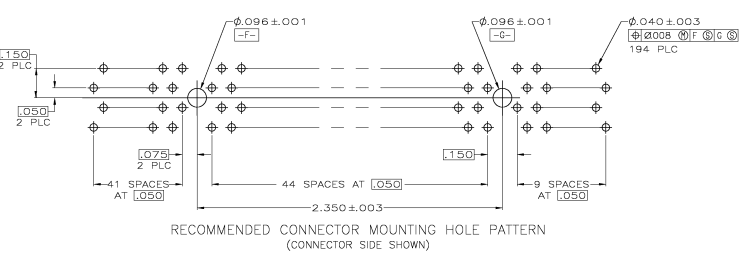
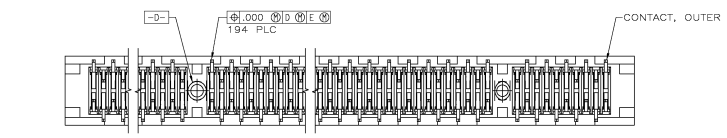
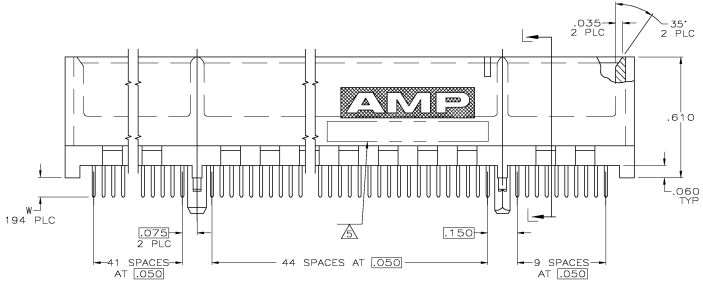
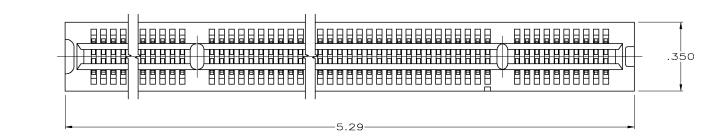
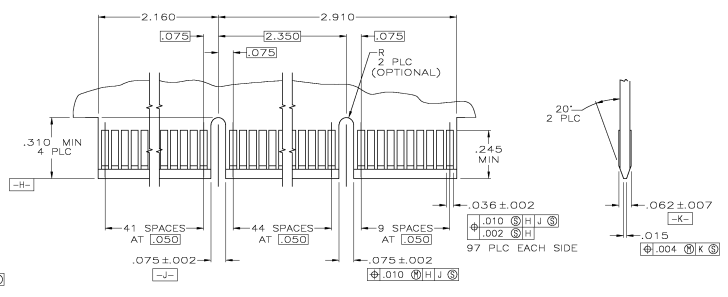


THIS DRAWING IS UNAPPROVED FOR REPRODUCTION
 © AMP INC. ALL RIGHTS RESERVED. AMP IS A REGISTERED TRADEMARK OF AMP ELECTRONICS CORPORATION.

REV	DATE	DESCRIPTION	BY	CHK
00	11 MAY 65	AWF		
A		OBsolete -1 PER EC 0515-0002-03		



- △ HOUSING: HIGH TEMPERATURE THERMOPLASTIC. COLOR: BROWN.
- △ CONTACT: PHOSPHOR BRONZE.
- △ CONTACT FINISH: .000100 MIN NICKEL ALL OVER, .000030 MIN GOLD OVER NICKEL IN CONTACT AREA, .000100 MIN MATTE TIN OVER NICKEL ON SOLDER TAILS.
- △ DISTANCE FROM CONTACT POINT TO BOTTOM OF CARD SLOT.
- △ AMP PART NUMBER, DATE CODE AND CSA LOGO MARKED IN APPROXIMATE AREA SHOWN.



RECOMMENDED MATING BOARD EDGE CONFIGURATION

OBsolete 1-4 5650708-2
 1-0 5650708-1
 W PART NUMBER

THIS DRAWING IS A CONTROLLED DOCUMENT.		REV. 11 MAY 65	DATE
DRAWING TITLE: CONNECTOR ASSEMBLY		REV. 11 MAY 65	DATE
DESIGNED BY: [Symbol]	DESIGNED BY: [Symbol]	DESIGNED BY: [Symbol]	DESIGNED BY: [Symbol]
CHECKED BY: [Symbol]	CHECKED BY: [Symbol]	CHECKED BY: [Symbol]	CHECKED BY: [Symbol]
DATE: 11-14-64	DATE: 11-14-64	DATE: 11-14-64	DATE: 11-14-64
REV. 11-14-64	REV. 11-14-64	REV. 11-14-64	REV. 11-14-64
CUSTOMER DRAWING		REV. 11-14-64	DATE: 11-14-64

AMP 480 REV 2/19/60