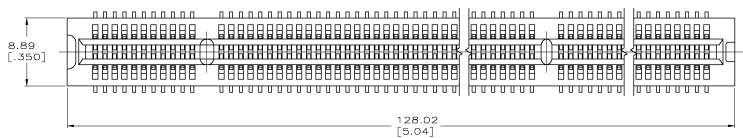
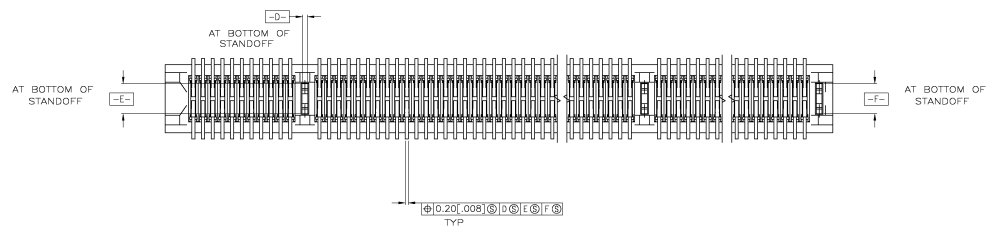
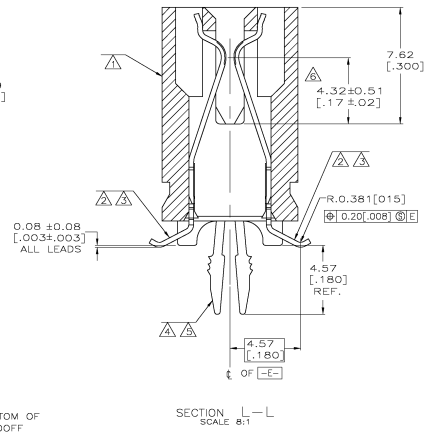
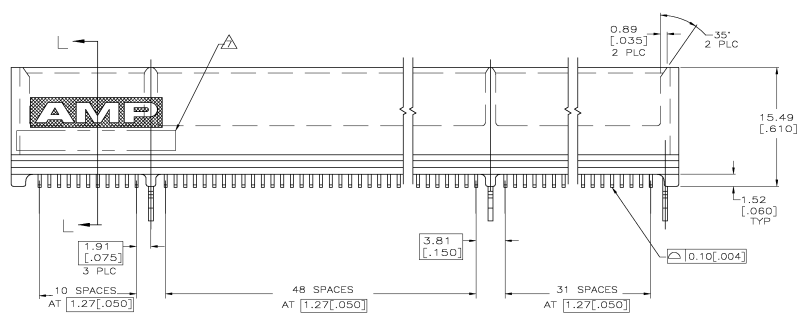


REV	DATE	DESCRIPTION	BY	CHK	APP
00					
A		REVISED PER EC 0515-0049-05			20 APR 05AWF/AMF

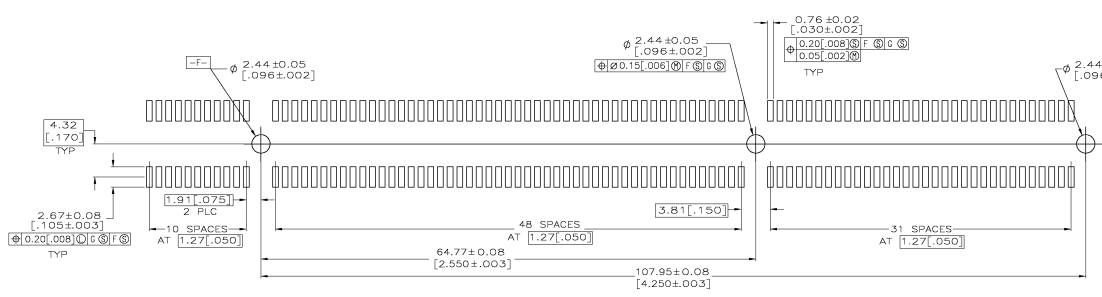


- △ HOUSING: HIGH TEMPERATURE THERMOPLASTIC.
- △ CONTACT: PHOSPHOR BRONZE.
- △ CONTACT FINISH: 0.00254[.000100] MIN NICKEL UNDERPLATE, 0.000762[.000030] MIN GOLD OVER NICKEL IN CONTACT AREA, 0.00254[.000100] MIN MATTE TIN OVER NICKEL ON SOLDER TAILS.
- △ METAL HOLD DOWN: BRASS
- △ METAL HOLD DOWN FINISH: 0.00127[.000050] MIN NICKEL UNDERPLATE, 0.00381[.000150] MIN MATTE TIN ALL OVER.
- △ DISTANCE FROM CONTACT POINT TO BOTTOM OF CARD SLOT.
- △ AMP PART NUMBER, DATE CODE AND CSA LOGO MARKED IN APPROXIMATE AREA SHOWN.

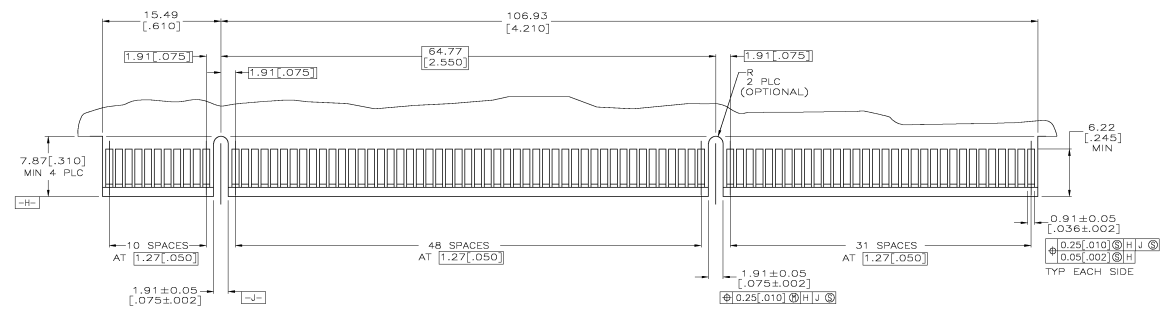


5145246-1 AS SHOWN

THIS DRAWING IS A CONTROLLED DOCUMENT:		REV	DATE	DESCRIPTION	BY	CHK	APP
0	0						
1	1						
2	2						
3	3						
4	4						
5	5						
6	6						
7	7						
8	8						
9	9						
10	10						
11	11						
12	12						
13	13						
14	14						
15	15						
16	16						
17	17						
18	18						
19	19						
20	20						
21	21						
22	22						
23	23						
24	24						
25	25						
26	26						
27	27						
28	28						
29	29						
30	30						
31	31						
32	32						
33	33						
34	34						
35	35						
36	36						
37	37						
38	38						
39	39						
40	40						
41	41						
42	42						
43	43						
44	44						
45	45						
46	46						
47	47						
48	48						
49	49						
50	50						
51	51						
52	52						
53	53						
54	54						
55	55						
56	56						
57	57						
58	58						
59	59						
60	60						
61	61						
62	62						
63	63						
64	64						
65	65						
66	66						
67	67						
68	68						
69	69						
70	70						
71	71						
72	72						
73	73						
74	74						
75	75						
76	76						
77	77						
78	78						
79	79						
80	80						
81	81						
82	82						
83	83						
84	84						
85	85						
86	86						
87	87						
88	88						
89	89						
90	90						
91	91						
92	92						
93	93						
94	94						
95	95						
96	96						
97	97						
98	98						
99	99						
100	100						



RECOMMENDED CONNECTOR MOUNTING HOLE PATTERN
(CONNECTOR SIDE SHOWN)



RECOMMENDED MATING BOARD EDGE CONFIGURATION

THIS DRAWING IS A CONTROLLED DOCUMENT.		DATE: 13 APR 03	REV: 00	TYPE: CUSTOMER DRAWING
DRAWN BY: [Symbol]		DATE: 13 APR 03	REV: 00	TYPE: CUSTOMER DRAWING
CHECKED BY: [Symbol]		DATE: 13 APR 03	REV: 00	TYPE: CUSTOMER DRAWING
APPROVED BY: [Symbol]		DATE: 13 APR 03	REV: 00	TYPE: CUSTOMER DRAWING
PART: [Symbol]		DATE: 13 APR 03	REV: 00	TYPE: CUSTOMER DRAWING
MATERIAL: [Symbol]		DATE: 13 APR 03	REV: 00	TYPE: CUSTOMER DRAWING
QUANTITY: [Symbol]		DATE: 13 APR 03	REV: 00	TYPE: CUSTOMER DRAWING
WEIGHT: [Symbol]		DATE: 13 APR 03	REV: 00	TYPE: CUSTOMER DRAWING
PRICE: [Symbol]		DATE: 13 APR 03	REV: 00	TYPE: CUSTOMER DRAWING
SEE SHEET 1		DATE: 13 APR 03	REV: 00	TYPE: CUSTOMER DRAWING
SEE SHEET 1		DATE: 13 APR 03	REV: 00	TYPE: CUSTOMER DRAWING
CUSTOMER DRAWING		DATE: 13 APR 03	REV: 00	TYPE: CUSTOMER DRAWING