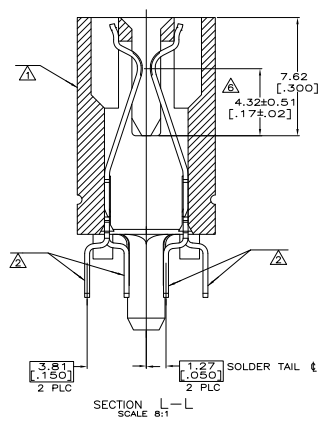
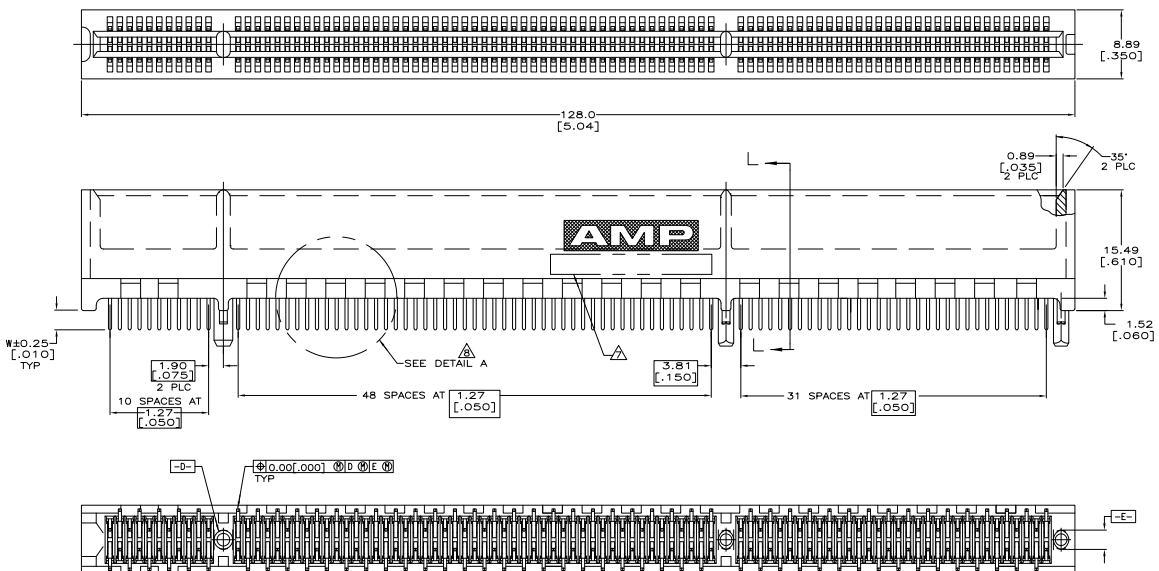


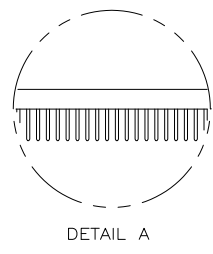
THIS DRAWING IS UNPUBLISHED
 ALL RIGHTS RESERVED

REV	DATE	DESCRIPTION	BY	CHK
00				
C1		REVISED PER ECO-11-005033	23MR11	RK HMR

SEE SHEET 2 FOR NOTES



SEE SHEET 2 FOR HOLE PATTERN



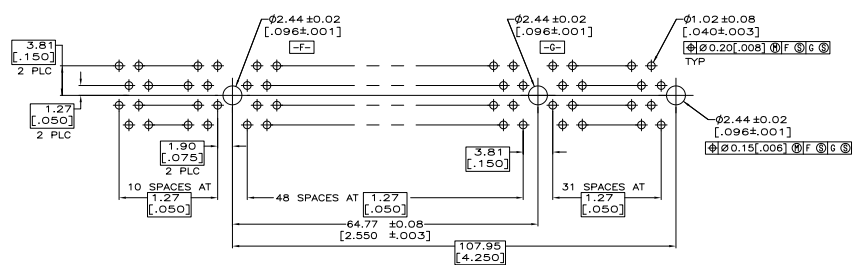
REV	DATE	DESCRIPTION	BY	CHK
1		1-5145165-2		
2		5145165-8		
3		5145165-4		
4		5145165-2		
5		5145165-1		

OBsolete: 2-54-1-100

W	FINISH	PART NUMBER

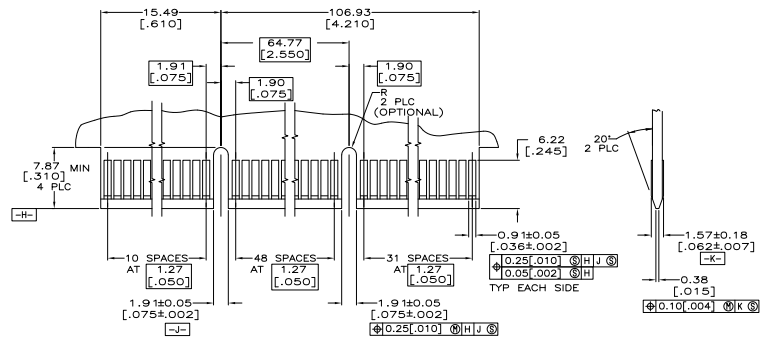
THIS DRAWING IS A CONTROLLED DOCUMENT.		DATE	REV
DATE	REV	DATE	REV
108-14034			
114-26012			

TE Connectivity
 CONNECTOR ASSEMBLY, 92 DUAL POSITION, 5050 SERIES, STANDARD HOSE.
 CUSTOMER DRAWING
 DATE: 4.11 1 2 C1



RECOMMENDED CONNECTOR MOUNTING HOLE PATTERN
 (CONNECTOR SIDE SHOWN)

- △ HOUSING: HIGH TEMPERATURE THERMOPLASTIC.
COLOR - NATURAL.
- △ CONTACT: PHOSPHOR BRONZE.
- △ CONTACT FINISH: 0.00127 [0.00050] MIN NICKEL ALL OVER.
GOLD FLASH OVER NICKEL IN CONTACT AREA.
0.00254 [0.00100] MIN MATTE TIN OVER NICKEL ON SOLDER TAILS.
- △ CONTACT FINISH: 0.00127 [0.00050] MIN NICKEL ALL OVER.
0.00381 [0.00015] GOLD OVER NICKEL IN CONTACT AREA.
0.00254 [0.00100] MIN MATTE TIN OVER NICKEL ON SOLDER TAILS.
- △ CONTACT FINISH: 0.00127 [0.00050] MIN NICKEL ALL OVER.
0.00076 [0.00030] GOLD OVER NICKEL IN CONTACT AREA.
0.00254 [0.00100] MIN MATTE TIN OVER NICKEL ON SOLDER TAILS.
- △ DISTANCE FROM CONTACT POINT TO BOTTOM OF CARD SLOT.
AMP PART NUMBER, DATE CODE AND CSA LOGO MARKED IN APPROXIMATE LOCATION SHOWN.
- △ CORED OR SOLID SIDE WALLS ARE AT DISCRETION OF AMP INCORPORATED.



RECOMMENDED MATING BOARD EDGE CONFIGURATION

THIS DRAWING IS A CONTROLLED DOCUMENT.		REV	DATE	DESCRIPTION	BY	APP
DRAWING NO.		108-14034	114-26012	100779		
PROJECT NAME		CONNECTOR ASSEMBLY, 92 DUAL POSITION, 250 SERIES, STANDARD EDGE.				
CUSTOMER DRAWING		DATE	114-26012	100779	DATE	114-26012
DRAWN BY		DATE	114-26012	100779	DATE	114-26012
CHECKED BY		DATE	114-26012	100779	DATE	114-26012
APPROVED BY		DATE	114-26012	100779	DATE	114-26012