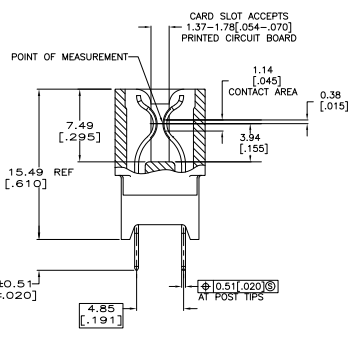
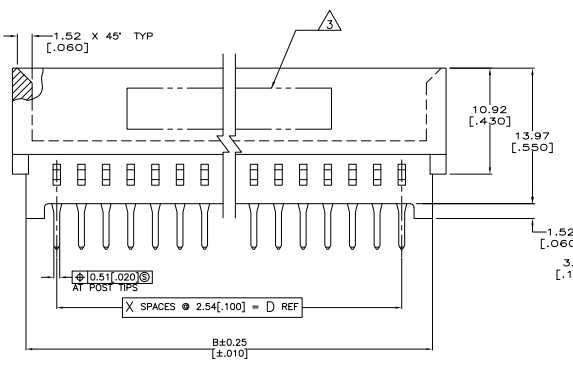
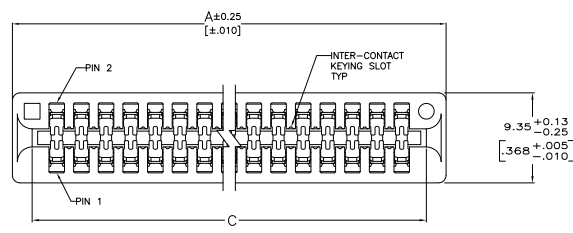
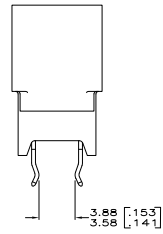


THIS DRAWING IS UNPUBLISHED
 ALL RIGHTS RESERVED
 © 2008 TYCO ELECTRONICS CORPORATION

| REV | DATE | DESCRIPTION | BY | CHK | APP |
|-----|---------------------------|-------------|----------|-----|-----|
| AA | 00 | | | | |
| C | 00-07-029491 | | DREB2008 | LAM | AWF |
| C1 | REVISED PER ECO-09-024927 | | 10NOV09 | KK | AEG |



- MATERIAL:
HOUSING: GLASS FILLED POLYESTER; COLOR: BLACK.
CONTACT: PHOS BRONZE
 - FINISH:
0.00076[.000030] MIN GOLD PLATE IN CONTACT AREA,
0.00254[.000100] MIN MATTE TIN ON SOLDER POSTS, ALL
OVER 0.00127[.000050] MIN NICKEL
 - AMP LOGO, TE PART NUMBER, DATE CODE AND CSA LOGO INK
STAMPED WHITE (HOT STAMPED OR LAZER PRINTED) IN THE APPROXIMATE
AREA SHOWN, EITHER SIDE PERMISSABLE, WHEN HOUSING SIZE PERMITS
 - RECOMMENDED PCB FINISHED HOLE DIAMETER = 1.02±0.08
[.040±.003]
 - THE RETENTIVE FEATURE OF THIS CONNECTOR IS DESIGNED FOR
FULL SEATING IN 1.57±0.20[.062±.008] THICK CIRCUIT BOARDS.
FOR APPLICATIONS IN BOARDS OF OTHER THICKNESSES, CONTACT
TYCO ELECTRONICS
- OBsolete PARTS: OBSOLETE CIS STREAMLING PER D.RENAUD/D.SINISI



BOARD RETENTION
 FEATURE
 (SEE TABLE FOR
 LOCATION)

| | |
|----------|-------------|
| OBsolete | 2-5645235-1 |
| OBsolete | 1-5645235-7 |
| OBsolete | 1-5645235-3 |

| |
|----------------|
| PART NUMBER |
|----------------|

| BOARD RETENTION FEATURE LOCATION | D | C | B | A | X | NO. OF POSTS | PART NUMBER |
|----------------------------------|-------------------|-------------------|-------------------|-------------------|----|--------------|-------------|
| 3-6, 55-58, 63-66, 115-118 | 149.86 [5.900] | 154.94 [6.100] | 156.21 [6.150] | 159.00 [6.260] | 59 | 60 | 1-5645235-8 |
| 3-6, 65-68 | 86.36 [3.400] | 91.44 [3.600] | 92.71 [3.650] | 95.50 [3.760] | 34 | 35 | 1-5645235-1 |
| 3-6, 35-38 | 53.34 [2.100] | 58.42 [2.300] | 59.69 [2.350] | 62.48 [2.460] | 21 | 22 | 5645235-7 |
| 3-6, 31-34 | 43.18 [1.700] | 48.26 [1.900] | 49.53 [1.950] | 52.32 [2.060] | 17 | 18 | 5645235-4 |
| 3-6, 49-52, 95-98 | 124.46 [4.900] | 129.54 [5.100] | 130.81 [5.160] | 133.60 [5.260] | 49 | 50 | 5645235-3 |
| 3-6, 29-32 OR 31-34, 57-60 | 76.20 [3.000] | 81.28 [3.200] | 82.55 [3.250] | 85.34 [3.360] | 30 | 31 | 5645235-1 |

THIS DRAWING IS A CONTROLLED DOCUMENT. UNCONTROLLED COPIES ARE NOT VALID FOR FABRICATION OR SERVICE.

INCHES: 1/16, 1/8, 3/16, 1/4, 3/8, 1/2, 5/8, 3/4, 7/8, 1, 1 1/8, 1 1/4, 1 1/2, 1 3/4, 2, 2 1/4, 2 1/2, 2 3/4, 3, 3 1/4, 3 1/2, 3 3/4, 4, 4 1/4, 4 1/2, 4 3/4, 5, 5 1/4, 5 1/2, 5 3/4, 6, 6 1/4, 6 1/2, 6 3/4, 7, 7 1/4, 7 1/2, 7 3/4, 8, 8 1/4, 8 1/2, 8 3/4, 9, 9 1/4, 9 1/2, 9 3/4, 10

MM: 2.5, 5, 7.5, 10, 12.5, 15, 17.5, 20, 22.5, 25, 27.5, 30, 32.5, 35, 37.5, 40, 42.5, 45, 47.5, 50, 52.5, 55, 57.5, 60, 62.5, 65, 67.5, 70, 72.5, 75, 77.5, 80, 82.5, 85, 87.5, 90, 92.5, 95, 97.5, 100

DATE: 108-9039
 REV: 114-13018
 SIZE: A1
 DRAWING NO: 00779
 CUSTOMER DRAWING: G-5645235

TYCO ELECTRONICS CORPORATION
 HARRISBURG, PA 17105-3008

CONNECTOR ASSEMBLY,
 STANDARD EDGE R,
 2.54 [100] CENTERLINE

REVISED TO: ---
 SHEET: 6:1
 OF: 1
 C1