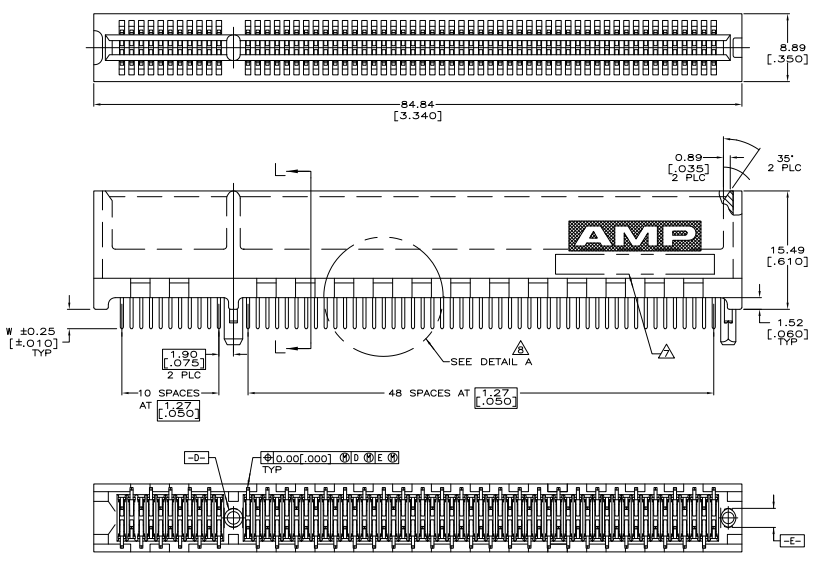
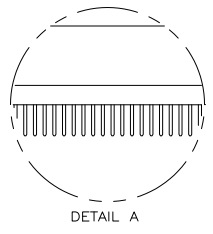


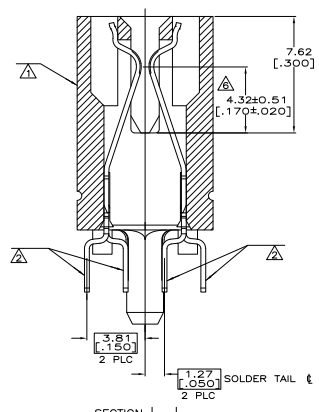
| REV | DATE | DESCRIPTION | BY | CHK | APP |
|-------|------|---------------------------|----|-----|-----|
| GP 00 | | | | | |
| GT | | REVISED PER EDD-11-005033 | | | |



SEE SHEET 2 FOR HOLE PATTERN



- △ HOUSING: HIGH TEMPERATURE THERMOPLASTIC.
COLOR - NATURAL
- △ CONTACT: PHOSPHOR BRONZE.
- △ CONTACT FINISH: .001269[.000050] MIN NICKEL ALL OVER.
GOLD FLASH OVER NICKEL IN CONTACT AREA.
.002537[.000100] MIN TIN-LEAD OVER NICKEL ON SOLDER TAILS.
- △ CONTACT FINISH: .001269[.000050] MIN NICKEL ALL OVER.
.000375[.000015] MIN GOLD OVER NICKEL IN CONTACT AREA.
.002537[.000100] MIN TIN-LEAD OVER NICKEL ON SOLDER TAILS.
- △ CONTACT FINISH: .001269[.000050] MIN NICKEL ALL OVER.
.000757[.000030] MIN GOLD OVER NICKEL IN CONTACT AREA.
.002537[.000100] MIN TIN-LEAD OVER NICKEL ON SOLDER TAILS.
- △ DISTANCE FROM CONTACT POINT TO BOTTOM OF CARD SLOT.
- △ AMP PART NUMBER, DATE CODE AND CSA LOGO SHOULD BE MARKED ON THE SIDE OF THE HOUSING NEAR THE AMP LOGO.
- △ CORED OR SOLID SIDE WALLS ARE AT DISCRETION OF AMP INCORPORATED.



SECTION L-L
SCALE 8:1

| | | | |
|------|------|---|------------|
| 3.56 | .140 | △ | 1-145154-2 |
| 3.18 | .125 | △ | 145154-8 |
| 2.54 | .100 | △ | 145154-4 |
| 2.54 | .100 | △ | 145154-3 |
| 2.54 | .100 | △ | 145154-7 |
| 2.54 | .100 | △ | 145154-1 |

SUPERSEDED BY 145154-4
 OBSOLETE

| W | FINISH | PART NUMBER |
|---|--------|-------------|
| | | |

THIS DRAWING IS A CONTROLLED DOCUMENT.

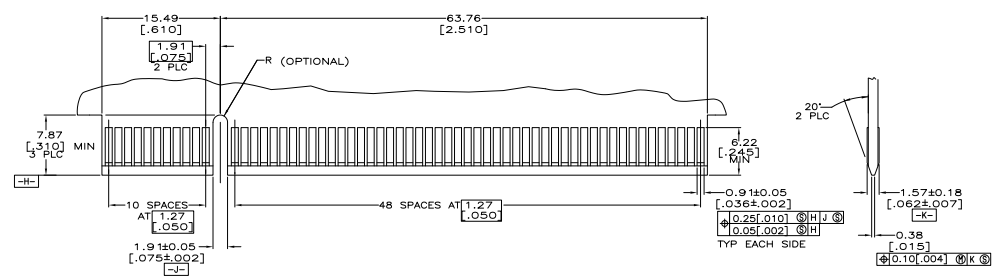
| REVISIONS | DATE | DESCRIPTION |
|-----------|-----------|--|
| 1 | 108-14034 | CONNECTOR ASSEMBLY, 60 DUAL POSITION, 1.27 (0.050) SERIES. |
| 2 | 114-26012 | |

DATE: 11-08-00
 DRAWING NO: 114-26012
 CUSTOMER DRAWING

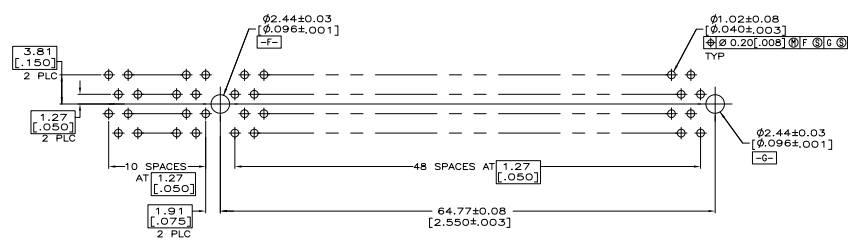
TE Connectivity

THIS DRAWING IS UNPUBLISHED. ALL RIGHTS RESERVED.

| REV | DATE | DESCRIPTION | BY | APP |
|-------|------|-------------|----|-----|
| GP 00 | | SEE SHEET 1 | | |



RECOMMENDED MATING BOARD EDGE CONFIGURATION



RECOMMENDED CONNECTOR MOUNTING HOLE PATTERN (CONNECTOR SIDE SHOWN)

| | | | | | | |
|--|--|--|------|-------------|----|-----|
| THIS DRAWING IS A CONTROLLED DOCUMENT. | | REV | DATE | DESCRIPTION | BY | APP |
| DRAWING NO. 114-26012 | | GP | 00 | SEE SHEET 1 | | |
| PROJECT NAME: 108-14034 | | TE Connectivity | | | | |
| CUSTOMER DRAWING | | CONNECTOR ASSEMBLY, 60 DUAL POSITION, 1.27 (0.050) SERIES. | | | | |
| DRAWN BY: A1 | | DATE: 00779 | | | | |
| CHECKED BY: A1 | | DRAWING NO: 114-26012 | | | | |
| APPROVED BY: A1 | | REV: 00 | | | | |
| DATE: 00779 | | SHEET 2 OF 2 | | | | |