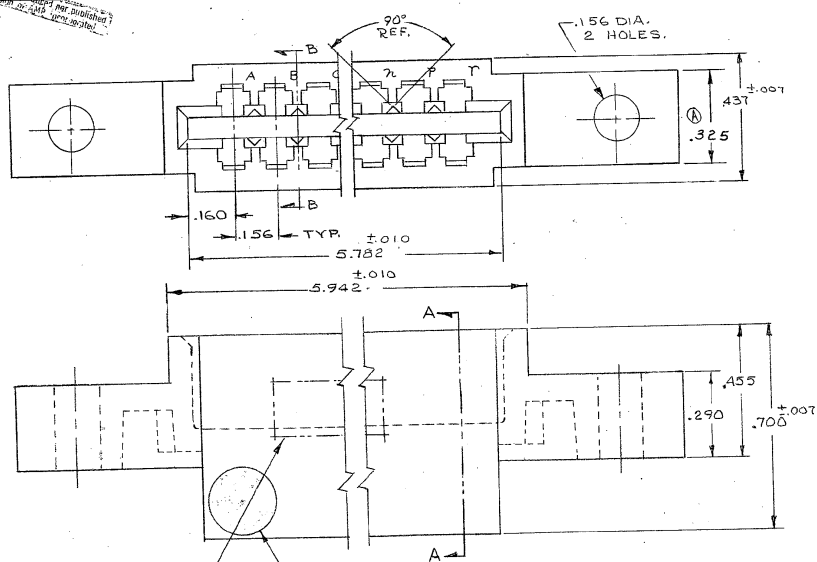


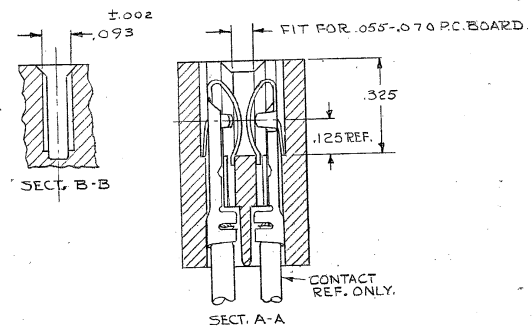
DRAWING MADE IN AMERICAN PROJECTION

ALL RIGHTS RESERVED. AMP PRODUCTS COVERED BY PATENTS AND/OR PATENTS PENDING.

REVISIONS			
ZONE	LTR	DESCRIPTION	DATE APPROVED
F		REV PER 0010-0337-95	10-17-75 P.B.
F		REV PER EC 0320-349-97	25-1-77 NS

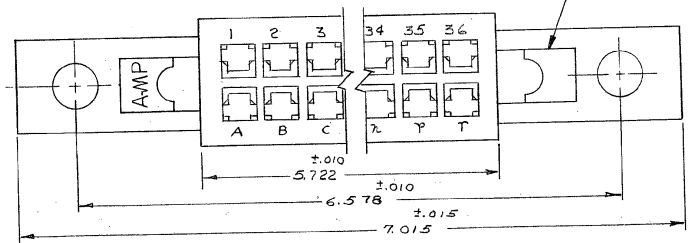


583552-1 HAS SHOWN.  
~~OBsolete 583552-3~~ SAME AS 1 EXCEPT  
 .250 DIA. ±.015 WHITE DOT, STAMPED LOWER  
 LEFT HAND CORNER, SAME SIDE AS  
 "AMP" PART NO & DATE CODE.



"AMP" PART NO & DATE CODE  
 HOT STAMPED IN THIS  
 AREA PER 115-9009.

CORING OPTIONAL



UNLESS OTHERWISE SPECIFIED, DIMENSIONS ARE IN INCHES TOLERANCES ON: DECIMALS ±.005 ANGLES ±	CONTRACT NO.		AMP INCORPORATED HARRISBURG, PENNSYLVANIA		
	TYP <i>Prindle</i> 1-8-70 CHK <i>S. Heide</i> 1-13-70 APPD <i>J. Kaufman</i> 1-13-70 REL <i>Rothman</i> 1/13/70 DSGN APPD OTHER APPD	NAME		HOUSING, AMP LEAF, 36 DUAL	
	MATERIAL		SIZE	CODE IDENT NO.	NUMBER
	GLASS FILLED NYLON OR POLYESTER COLOR: BLACK		C	00779	583552
			SCALE	4-1	SHEET 1 OF 1

CUSTOMER DRAWING