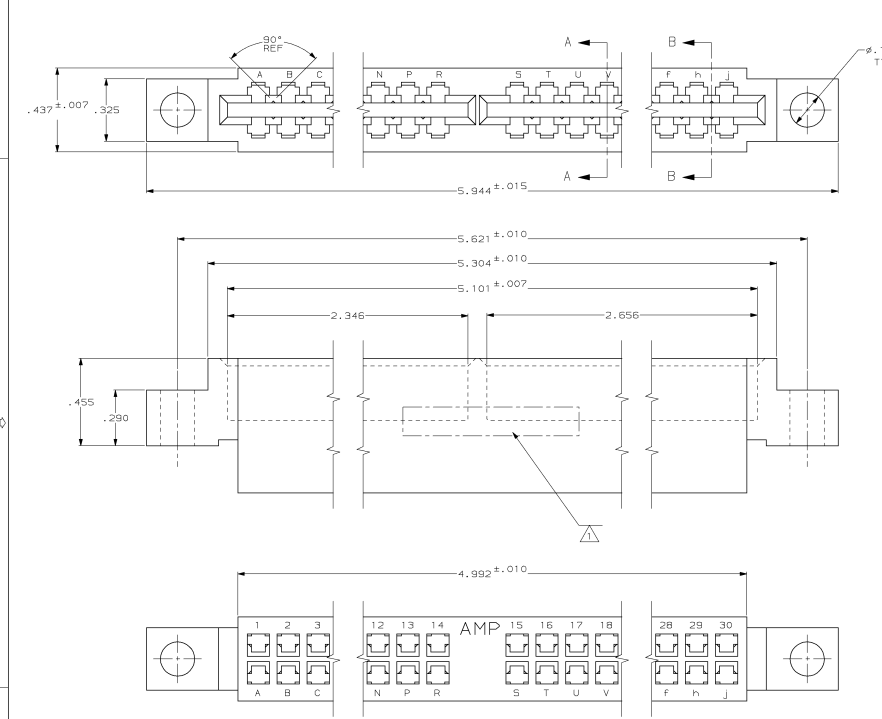
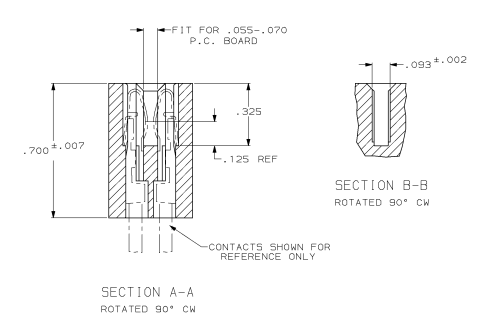


DRAWING MADE IN THIRD ANGLE PROJECTION
 THIS DRAWING IS UNPUBLISHED.
 © COPYRIGHT 1987
 RELEASED FOR PUBLICATION
 BY AMP INCORPORATED. ALL INTERNATIONAL RIGHTS RESERVED.

REV	DATE	DESCRIPTION	BY	CHK
N	11/4/92	REACTIVATED PER 92-5120-002-1	HR	
P	12/26/92	REV PER 0010-0184-92	HR	
R	10/17/96	REV PER 0010-0337-95	HR	
S	01/01/97	REV PER EC 0320-349-97	HR	NS



△ HOT STAMP AMP PART NUMBER AND DATE CODE IN THIS AREA, PER AMP SPEC. 115-9009.



AS SHOWN		583631-1	
DESCRIPTION		PART NO	
DO NOT SCALE PRINT, UNLESS SPECIFIED. DIMENSIONS IN mm (INCHES) 1 TOLERANCES: .01 2 R/C DEC .005 3 R/C DEC .005 4 UNLESS STATED OTHERWISE		DR 11/4/92 S BROWN CHK 11/26/92 H ROSE APPD 11/26/92 H ROSE MATERIAL: POLYESTER COLOR: BLACK FINISH: - WEIGHT: -	
AMP Incorporated Harrisburg, PA 17105-3008		NAME: - PRODUCT SPEC: - APPLICATION SPEC: - SIZE: D CAGE CODE: 00779 DRAWING NO: 583631 SCALE: 4:1 SHEET: 1 OF 1	

THIS DRAWING IS A CONTROLLED DOCUMENT FOR AMP INCORPORATED. IT IS SUBJECT TO CHANGE AND THE CONTROLLING AND HISTORY INFORMATION SHOULD BE CONTACTED FOR THE LATEST REVISION.

CUSTOMER DRAWING