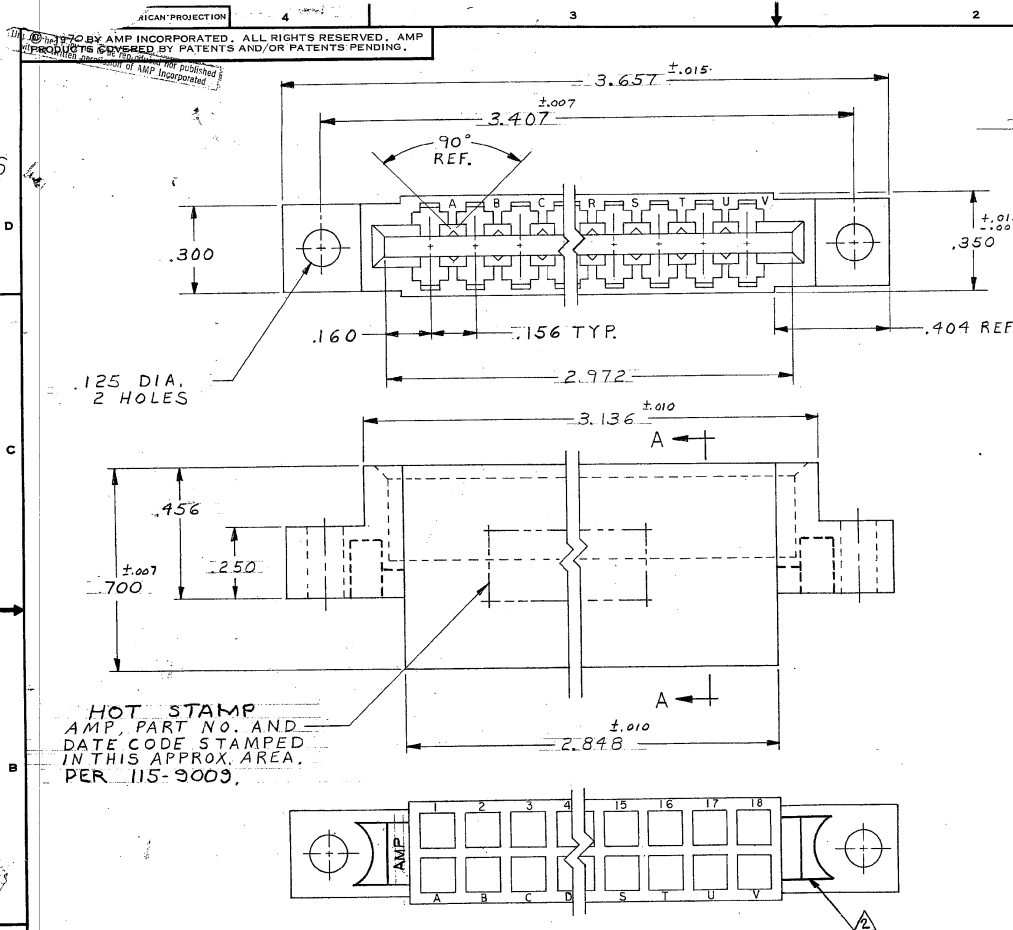
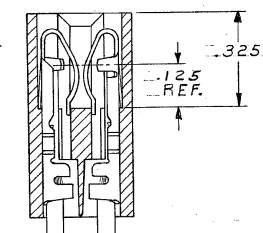


© 1970 BY AMP INCORPORATED. ALL RIGHTS RESERVED. AMP PRODUCTS COVERED BY PATENTS AND/OR PATENTS PENDING.

REVISIONS				
ZONE	LTR	DESCRIPTION	DATE	APPROVED
01		ADDED - 3 WAS 5112-320-2 CUST. 3827 M.S.	6-8-73	M.S.
A		REVISED MATL. 3.657	11-3-76	DR
B		REV PER ADO702	8/4/85	CP / H.S. RESAL
C		REV PER AD 3180	1/1/89	AD / H.S. RESAL
D		REV PER COID. 0337-35	10-17-95	RB
E		REV PER EC 0320-343-37	05 NOV 97	N/S
ET		REVISED PER - ECO-09-026444	27NOV09	KK

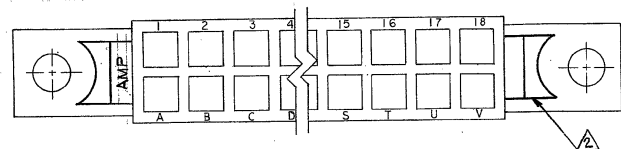


583725-1 I.A.S. SHOWN
~~583725-3 I.SAME AS -1 EXCEPT .156 DIA. MTG. HOLES.~~



CONTACTS SHOWN FOR REF. ONLY.

SECT. A-A



- 1. 055-.070 P.C. BOARD THICKNESS
- 2. VOID CORING PERMISSIBLE AT AMP'S OPTION REF ONLY
- 3. OBSOLETE PARTS: OBSOLETE CIS STREAMLINING PER D.RENAUD/D.SINISI

UNLESS OTHERWISE SPECIFIED, DIMENSIONS ARE IN INCHES. TOLERANCES ON: DECIMALS ±.005 ANGLES ±		CONTRACT NO.		AMP INCORPORATED HARRISBURG, PENNSYLVANIA	
MATERIAL GLASS FILLED NYLON OR POLYESTER COLOR: BLACK.		DR <i>M. Smith</i> 10-1-70 CHK <i>S. Weide</i> 4/30/71 APPD <i>J. Kaufman</i> 4/30/71 RES <i>R. Brennan</i> 4/30/71		NAME HOUSING, AMP LEAF, 18 POSITION, DUAL.	
OTHER APPD		SIZE C	CODE IDENT NO. 00779	NUMBER 583725	
SCALE 1-1		SHEET 1 OF 1		CUSTOMER DRAWING	