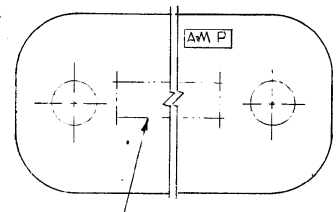
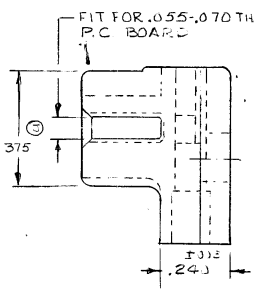
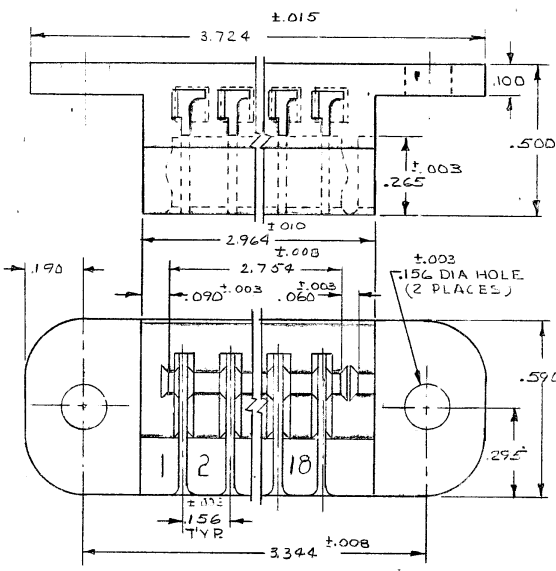


DRAWING MADE IN AMERICAN PROJECTION
 © 1962 BY AMP INCORPORATED. ALL RIGHTS RESERVED. AMP PRODUCTS COVERED BY PATENTS AND OR PATENTS PENDING.

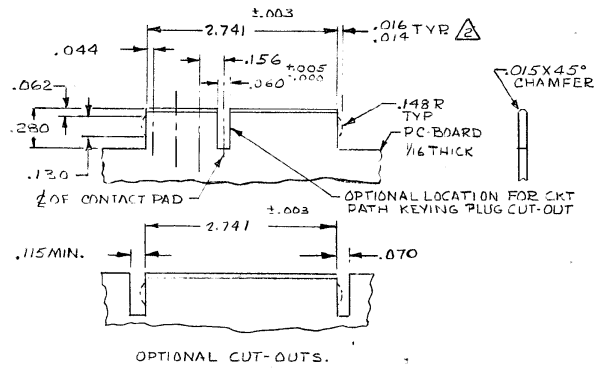
REVISIONS				
ZONE	LTR	DESCRIPTION	DATE	APPROVED
	H1	PEDRAWN, WITHOUT CHANGE	3588 DR 2-5-72	JH
	J	REVISED	3535 MMS 6-8-72	JA
	TI	DESIGN	AD 10 37 210 1-7-80	EL
	K	REV PER AD 174-6	8-24-72	UAW
	L	REV / AD 1840 OBS -1	TH 3-28-72	UAW
	M	REV PER 2010 1143-95	11-8-72	PL
	N	REV PER EC 093C-233-01	080CT01	MM

PART N°:	COLOR:
582387	BROWN
582387	RED
582387	ORANGE
582387	YELLOW
582387	GREEN
582387	BLUE
582387	VIOLET
582387	SPAN
582387	NATURAL
582387	BLACK



PART N° & DATE CODE MARKED OR MOLDED IN THIS AREA, DATE CODE (OPTIONAL)

1. REFER TO 60215 # 583284 FOR TERMINAL.
2. THE RETAINING DIMPLES ARE OPTIONAL IN BOTH CUT-OUTS.
3. CARD SLOT AND MOUNTING HOLE DIMENSIONS TO BE CHECKED WITH HOUSING RESTRAINED. (AS MOUNTED)



UNLESS OTHERWISE SPECIFIED, DIMENSIONS ARE IN INCHES. TOLERANCES ON: DECIMALS: .005 ANGLES: °	CONTRACT NO.	AMP INCORPORATED HARRISBURG, PENNSYLVANIA
	DR: <i>W. H. White</i> 2-8-72	
	MATERIAL: NYLON	NAME: HOUSING, DUS-TYNE FLG, WITH MOUNTING HOLES, 18 POSITION SIZE: C CODE IDENT NO: 00779 NUMBER: 582387
	APPROVED: <i>M. Huskey</i> 2-22-72	SCALE: 1-1 SHEET: 10F1

CUSTOMER DRAWING