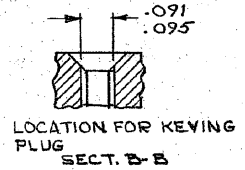
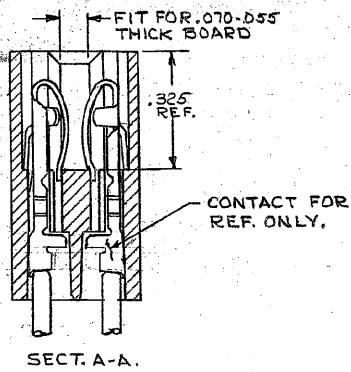
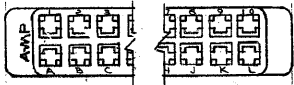
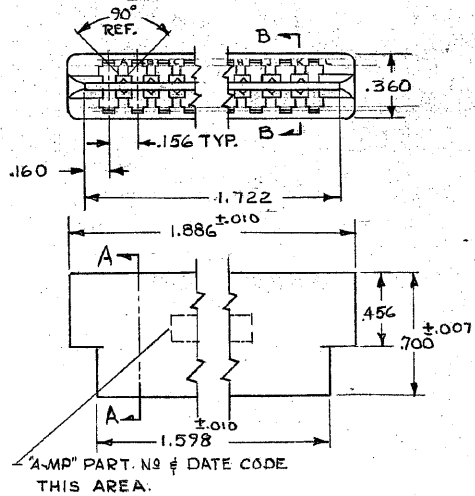


583280

©1964 BY AMP INCORPORATED. ALL RIGHTS RESERVED. AMP PRODUCTS COVERED BY PATENTS AND/OR PATENTS PENDING.

583280-1, 1 AS SHOWN

ZONE		REVISIONS		DATE	APPROVED
3		RELEASED WAS 5112-102 (open)		5-7-67	J.H.
1	A	REV PER EC 0320-949-97		24 NOV 67	NS



UNLESS OTHERWISE SPECIFIED DIM. ARE IN INCHES. TOLERANCES ON DECIMALS ± .005 ANGLES ± .005		CONTRACT NO.		AMP INCORPORATED HARRISBURG, PENNSYLVANIA	
MATERIAL PHENOLIC		DR <i>Humble</i> 3-28-67	CHK <i>S.S. Heide</i> 5/9/67	NAME 10 POS. AMP LEAF HOUSING WITHOUT MOUNTING EARS.	
AMP INFO		APPR <i>J. Kaufman</i> 5/16/67	DSGN APPR	SIZE B	CODE IDENT NO. 00779
LOG FT	PRINT 22	HEAT TREAT	FINISH BLACK	NUMBER	583280
		OTHER APPR <i>R. Shuman</i> 5/10/67	SCALE 2:1	WT	CALC ACTUAL SHEET 1 OF 1

CUSTOMER DRAWING