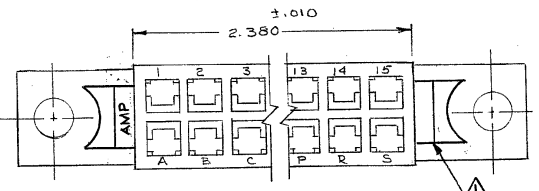
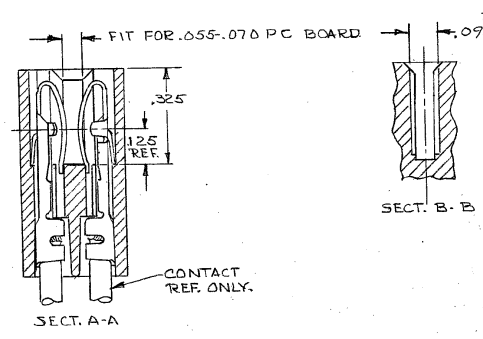
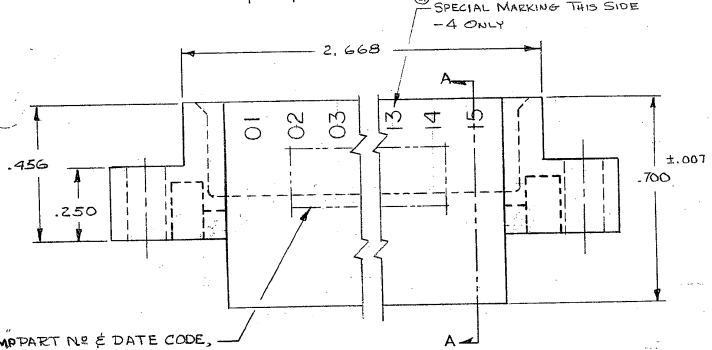
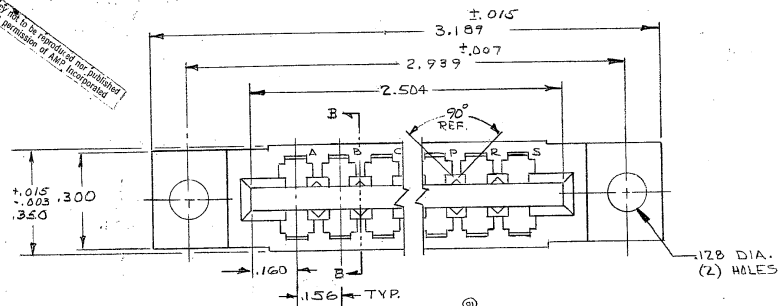


© 1979 BY AMP INCORPORATED. ALL RIGHTS RESERVED. AMP PRODUCTS COVERED BY PATENTS AND/OR PATENTS PENDING.

583680-1: 1.A5 SHOWN

OBsolete ~~583680-1: 1.A5 SHOWN~~

ZONE	LTR	DESCRIPTION	DATE	APPROVED
0		RELEASED WAS 5112-236-1 CUST.	JW 12-30-70	D.H.
01		ADDED - 4 SPECIAL MKG (4 WAS 5112-280) REF	11-16-71	D.H.
A		REVISED MAT'L 4657	DR 1-4-76	DE M.S.
B		REV PER ADD702	9/3/85	CP /
C		REV PER AD 2118	3/88	MD
D		REV PER AD 3180	1/89	LD/MDR
E		REV PER 0010-0337-95	10-17-95	R.B.
F		REV PER EC 0320-349-97	12-11-97	N.S.



VOID CORING PERMISSIBLE AT AMP'S OPTION REF ONLY

UNLESS OTHERWISE SPECIFIED, DIMENSIONS ARE IN INCHES TOLERANCES ON DECIMALS ±.005 ANGLES ±	CONTRACT NO.	AMP INCORPORATED HARRISBURG, PENNSYLVANIA	
	DR. <i>Rundell</i> 2-10-70	NAME	HOUSING; AMP LEAF.
	CHK. <i>S. S. White</i> 1-5-71		15 DUAL.
	APPD. <i>J. Kaufman</i> 1-6-71	SIZE	CODE IDENT NO.
	REL. <i>Ching S. Hsu</i> 1-6-71	C	00779
	DSGN APPD.	NUMBER	583680
	OTHER APPD.	SCALE	4-1
		SHEET	1 of 1

CUSTOMER DRAWING