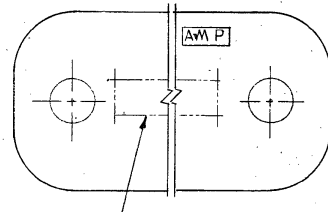
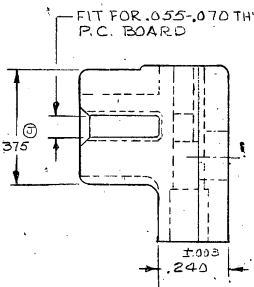
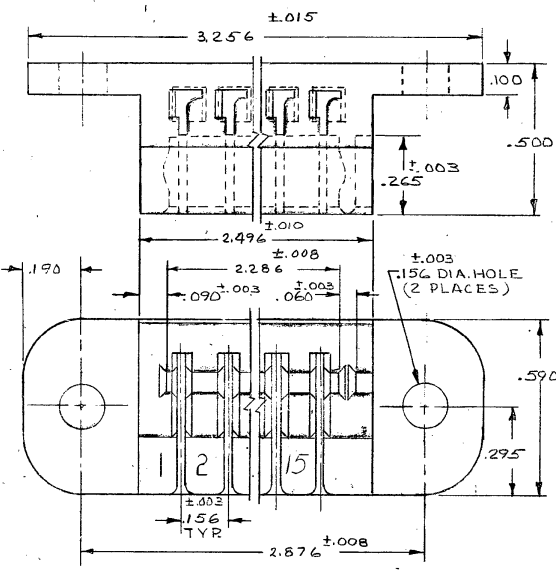


DRAWING MADE IN AMERICAN PROJECTION  
 © 1962 BY AMP INCORPORATED. ALL RIGHTS RESERVED. AMP PRODUCTS COVERED BY PATENTS AND/OR PATENTS PENDING.

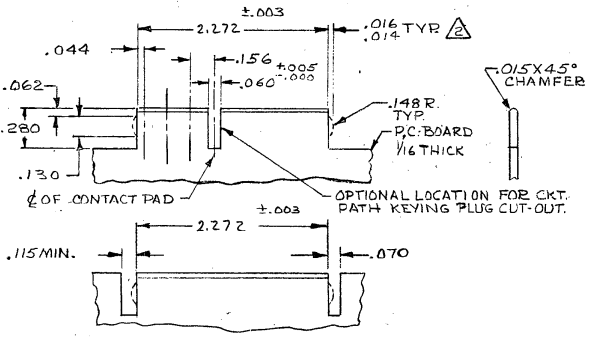
REVISIONS					
ZONE	LTR	DESCRIPTION	DATE	APPROVED	
H1		REDRAWN WITHOUT CHANGE	3588 DR 2-2-72	J.H.	
J		REVISED	3535 ms. 6-8-72	J.H.	
K		REV PER AD 1746	8-29-72	con/HR	
L		REV PER 0010-1143-95	11-95	AP/Asst.	
M		REV PER EC 003C-233-01	03OCT01	MM	

PART N <sup>o</sup>	COLOR
582386-1	BROWN
582386-2	RED
582386-3	ORANGE
582386-4	YELLOW
582386-5	GREEN
582386-6	BLUE
582386-7	VIOLET
582386-8	GRAY
582386-9	NATURAL
582386-0	BLACK

— OBSOLETE —



PART N<sup>o</sup> & DATE CODE MARKED OR MOLDED IN THIS AREA. DATE CODE (OPTIONAL)



OPTIONAL CUT-OUTS.

1. REFER TO 60215 # 583284 FOR TERMINAL.
2. THE RETAINING DIMPLES ARE OPTIONAL IN BOTH CUT-OUTS.
3. CARD SLOT AND MOUNTING HOLE DIMENSIONS TO BE CHECKED WITH HOUSING RESTRAINED. (AS MOUNTED)

UNLESS OTHERWISE SPECIFIED, DIMENSIONS ARE IN INCHES TOLERANCES ON : DECIMALS ±.005 ANGLES ±	CONTRACT NO.	AMP INCORPORATED HARRISBURG, PENNSYLVANIA	
	DR. <i>Rumelle 2-2-72</i>	NAME	HOUSING, DUO-TYNE FLAG, WITH MOUNTING HOLES. 15 POSITION
MATERIAL  NYLON	CHR. <i>J.S. Wade 2-21-72</i>	SIZE	C
	APPR. <i>D.D. Bushey 2-21-72</i>	CODE IDENT NO.	00779
	REL. <i>R. Schuman 2-21-72</i>	NUMBER	582386
OTHER APPD	SCALE	4-1	SHEET 1 OF 1

CUSTOMER DRAWING

582386

A

D

C

B

A

LOC

AID

00