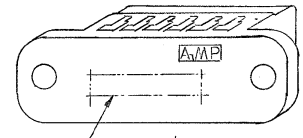
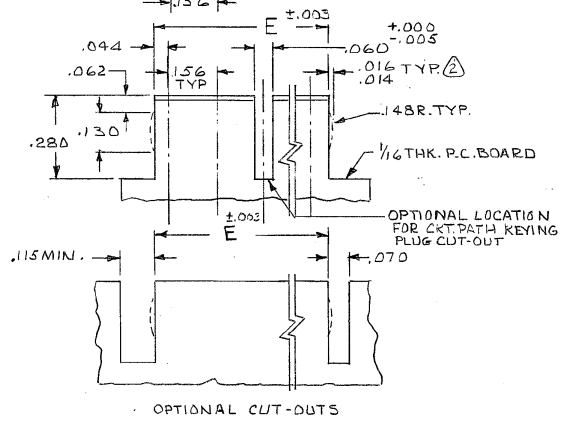
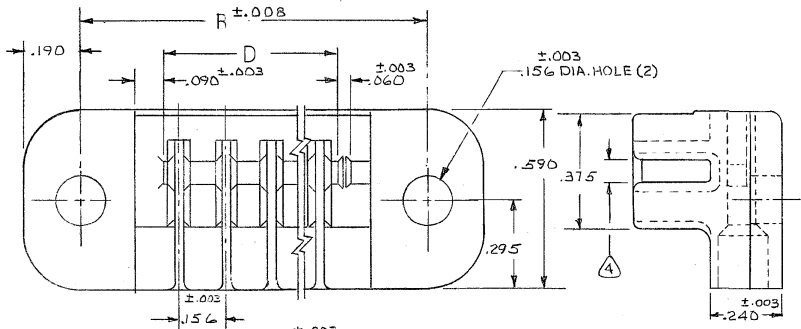
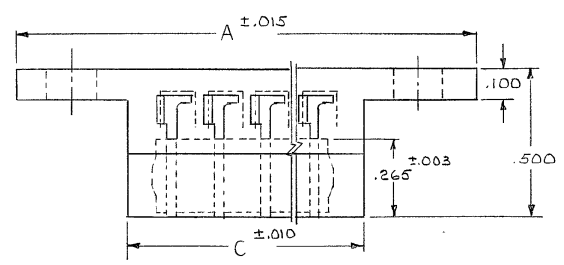


DRAWING MADE IN THIRD ANGLE PROJECTION

© COPYRIGHT 1975 BY AMP INCORPORATED, HARRISBURG, PA.
 ALL INTERNATIONAL RIGHTS RESERVED. AMP INCORPORATED PRODUCTS
 COVERED BY U. S. AND FOREIGN PATENTS AND/OR PATENTS PENDING.

LOC DIST
 AD 00

REVISIONS						
P	F	ZONE	LTR	DESCRIPTION	DATE	APPROVED
			A1	ADDED 1-6 m.s 7434	6-81	
			A2	OBS -4 PER AD1253	7-1-66	CP/ces
			B	OBS -5 PER AD 1746	6-63	
			C	REV PER AD2190	1/89	CP
			D	REV PER ECO-1183-53	11-95	T.B.
			E	REV PER EC 083C-233-01		MM
			E1	REVISED PER ECO-09-026346	NOV09	AEG



PART NO & DATE CODE MARKED OR MOLDED IN THIS AREA. DATE CODE (OPT.)

- 1. REFER TO 530501 TO 530508 FOR TERMINALS
- 2. RETAINING DIMPLES ARE OPTIONAL IN BOTH CUT-OUTS
- 3. CARD SLOTS AND MOUNTING HOLE DIMENSIONS TO BE CHECKED WITH HOUSING RESTRAINED AS MOUNTED.
- 4. FIT FOR .055-.070 P.C. BOARD.
- 5. IDENTIFICATION MARKING OMITTED.
- 6. OBSOLETE PARTS: OBSOLETE CIS STREAMLINING PER D.RENAUD/D.SINISI

	1.805	1.818	2.028	2.408	2.788	12	1-530509-6
OBsolete	3.365	3.378	3.588	3.968	4.348	6	530509-4
	2.741	2.754	2.964	3.344	3.724	18	530509-8
	2.117	2.130	2.340	2.720	3.100	14	530509-7
OBsolete	1.805	1.818	2.028	2.408	2.788	12	530509-6
	.712	.725	.736	.746	.756	5	530509-5
	.400	.414	.424	.434	.444	3	530509-4
OBsolete	2.272	2.286	2.496	2.876	3.256	15	530509-3
	1.337	1.350	1.560	1.940	2.320	9	530509-2
	.868	.882	.892	.902	.912	6	530509-1

UNLESS OTHERWISE SPECIFIED DIMENSIONS ARE IN INCHES. TOLERANCES ON: DECIMALS ±.005 ANGLES ±	CONTRACT NO	AMP INCORPORATED Harrisburg, Pa	
	DR: <i>Renaud 2-76-75</i> CHK:		
MATERIAL NYLON	APPR: <i>Renaud 2-26-75</i> APPD: <i>D/Sinisi 2-27-75</i> DSGN APPD: <i>R. Schuman 2-27-75</i> OTHER APPD:	HOUSING, DUO-TYNE FLAG WITH MOUNTING EARS.	
FINISH	SIZE (CODE IDENT NO) DRAWING NO C 00779 530509	REV E1	
SCALE 1-1		SHEET 1 OF 1	

CUSTOMER DRAWING