

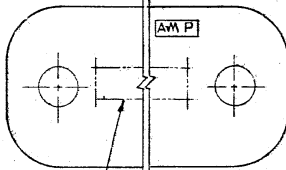
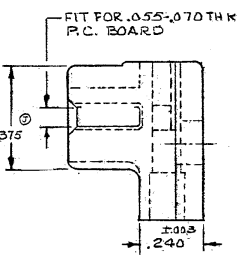
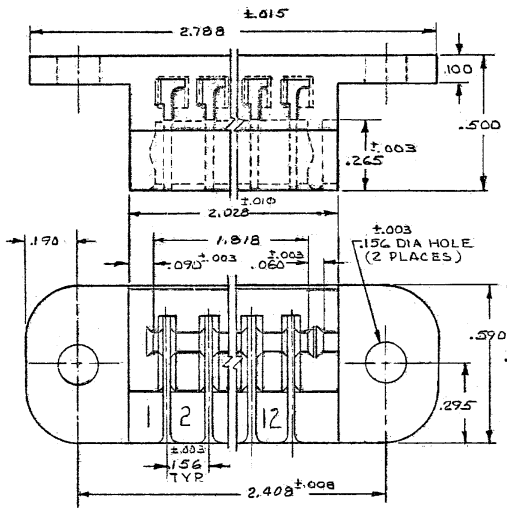
DRAWING MADE IN AMERICAN PROJECTION

© 1962 BY AMP INCORPORATED. ALL RIGHTS RESERVED. AMP PRODUCTS COVERED BY PATENTS AND OR PATENTS PENDING.

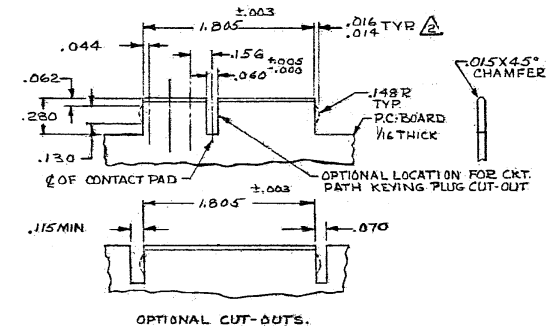
ZONE	LTR	DESCRIPTION	DATE	APPROVED
H1		REDRAWN WITHOUT CHANGE	3555	2-8-72
J		REVISED	3535	2-8-72
K		REV PER AD 1746		8-7-72
L		OBS-T PER ECN 0094-98		7-73
M		REV PER OSIO-1143-35		11-05
N		REV PER EC 0030-233-01		08 OCT 81

PART N ^o	COLOR
582384-1	BROWN
582384-2	RED
582384-3	ORANGE
582384-4	YELLOW
582384-5	GREEN
582384-6	BLUE
582384-7	VIOLET
582384-8	GRAY
582384-9	NATURAL
1-582384-0	BLACK

OBSELETE



PART N^o & DATE CODE MARKED OR MOLDED IN THIS AREA. DATE CODE (OPTIONAL)



- REFER TO 60215 # 583284 FOR TERMINAL.
- THE RETAINING DIMPLES ARE OPTIONAL IN BOTH CUT-OUTS.
- CARD SLOT AND MOUNTING HOLE DIMENSIONS TO BE CHECKED WITH HOUSING RESTRAINED. (AS MOUNTED)

UNLESS OTHERWISE SPECIFIED DIMENSIONS ARE IN INCHES TOLERANCES OR DECIMALS & .005 ANGLES & MATERIAL NYLON	CONTRACT NO.	AMP INCORPORATED HARRISBURG, PENNSYLVANIA
	DR CHK APP REL DSGN APPD OTHER APPD	NAME HOUSING, DUAL-TYNE FLAG, WITH MOUNTING HOLES. 12 POSITION
	DATE 2-8-72 2-21-72 2-22-72 2-26-72	SIZE C
	CODE & IDENT NO 00779	NUMBER 582384
SCALE 4-1		SHEET 1 OF 1

CUSTOMER DRAWING

AMP 1471-1 REV 02/88

number 582384