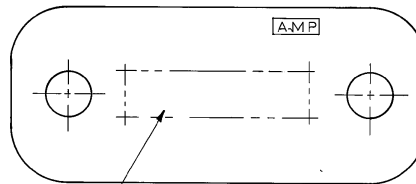
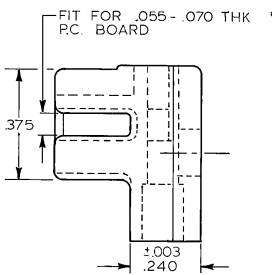
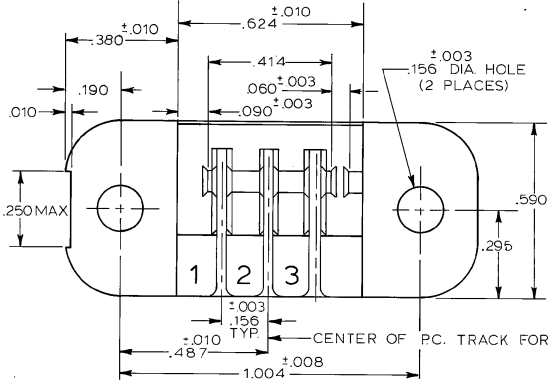
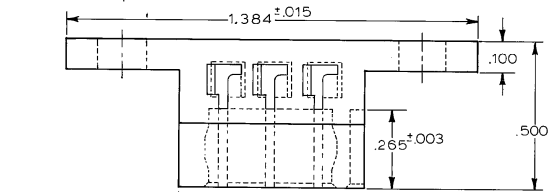


DRAWING MADE IN THIRD ANGLE PROJECTION

THIS DRAWING IS UNPUBLISHED. RELEASED FOR PUBLICATION FEBRUARY 22, 1972.
 © COPYRIGHT 1952 BY AMP INCORPORATED, HARRISBURG, PA. ALL INTERNATIONAL RIGHTS RESERVED. AMP PRODUCTS MAY BE COVERED BY U.S. AND FOREIGN PATENTS AND/OR PATENTS PENDING.

PART No.	COLOR
582380-1	BROWN
582380-2	RED
582380-3	ORANGE
582380-4	YELLOW
582380-5	GREEN
582380-6	BLUE
582380-7	VIOLET
582380-8	GRAY
582380-9	NATURAL
582380-0	BLACK

REVISIONS					
P	F	ZONE	LTR	DESCRIPTION	DATE APPROVED
✓	✓		K	REV/REDRAWN PER ADO273	7-28-64 <i>WJG</i>
✓	✓		L	REV PER AD 1746	8-24-67 <i>WJG/ABR</i>
✓	✓		M	REV PER 0010-1143-95	11-30-68 <i>P.B.</i>
✓	✓		N	REV PER EC 0930-233-01	(95010) MM

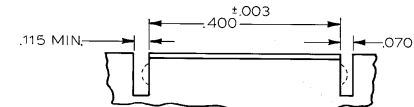
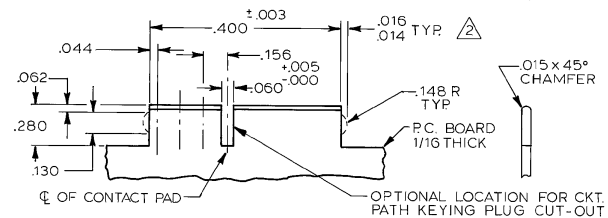


PART No. & DATE CODE MARKED OR MOLDED IN THIS AREA. DATE CODE (OPTIONAL)

1. REFER TO 60215 & 583284 FOR TERMINAL.

2. THE RETAINING DIMPLES ARE OPTIONAL IN BOTH CUT-OUTS

3. CARD SLOT AND MOUNTING HOLE DIMENSIONS TO BE CHECKED WITH HOUSING RESTRAINED (AS MOUNTED)



OPTIONAL CUT-OUTS 1

UNLESS OTHERWISE SPECIFIED DIMENSIONS ARE IN INCHES. TOLERANCES ON: DECIMALS ±.005 ANGLES ±			CONTRACT NO		AMP AMP INCORPORATED Harrisburg, Pa. 17105	
MATERIAL	NYLON	FINISH	DR	<i>S. R. Ruff</i> 7/2/64	NAME	HOUSING, DUO-TYNE FLAG WITH MOUNTING HOLES 3 POSITION
			CHK	<i>Howard W. Rose</i> 7/2/64	SIZE	C 00779
			APP	<i>Howard W. Rose</i> 7/2/64	FSCM NO	582380
			APPD	<i>EM Cottrell</i> 9/6/64	DRAWING NO	582380
			DSGN APPD		SCALE	4:1
			OTHER APPD		SHEET 1 OF 1	

CUSTOMER DRAWING

582380