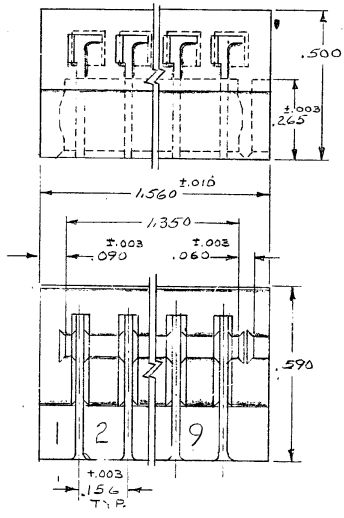


DRAWING MADE IN AMERICAN PROJECTION  
 © 1942 BY AMP INCORPORATED. ALL RIGHTS RESERVED. AMP PRODUCTS COVERED BY PATENTS AND OR PATENTS PENDING.

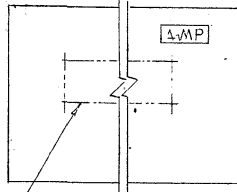
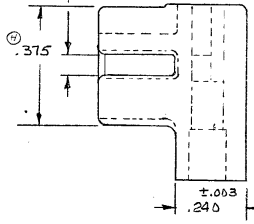
REVISIONS				
ZONE	LTR	DESCRIPTION	DATE	APPROVED
G1		REDRAWN WITHOUT CHANGE 3399 DR	2-9-72	D.H.
H		REVISED	3-5-72	M.S.D.
HI		005-1-3	AD1037	10-7-72
J		REV. 1 AD1146	3-7-72	12/72
K		REV / AD 1340 005 -10	7-13-80	H.W.R.
L		REV PER 0010-1143-95	11-5-81	P.B.
M		REV PER EC 0G3C-233-01	030CT01	MM

PART NO.	COLOR
582375-1	BROWN
582375-2	RED
582375-3	ORANGE
582375-4	YELLOW
582375-5	GREEN
582375-6	BLUE
582375-7	PURPLE
582375-8	GRAY
582375-9	NATURAL
582375-0	BLACK

OBSELETE

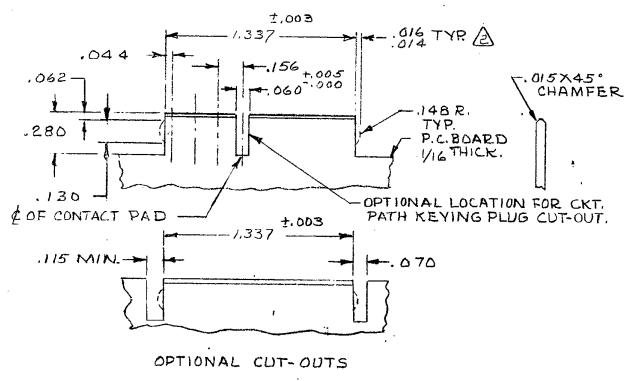


FIT FOR .065-.070 THK. P.C. BOARD.



PART NO. & DATE CODE MARKED OR MOLDED IN THIS AREA. DATE CODE (OPTIONAL)

1. REFER TO 60215 & 583284 FOR TERMINAL  
 2. THE RETAINING DIMPLES ARE OPTIONAL IN BOTH CUT-OUTS.



UNLESS OTHERWISE SPECIFIED, DIMENSIONS ARE IN INCHES. TOLERANCES ON: DECIMALS ±.005 ANGLES 1		CONTRACT NO.		AMP INCORPORATED HARRISBURG, PENNSYLVANIA	
MATERIAL: NYLON		DR: <i>Punkle</i> 2-9-72		NAME: HOUSING, DUO-TYNE FLAG, 9 POSITION.	
		CHK: <i>S. Wade</i> 2-21-72		SIZE: C	
		APPD: <i>R. Bushley</i> 2-22-72		CODE IDENT NO.: 00779	
		REF: <i>R. Stuman</i> 2-22-72		NUMBER: 582375	
		DSGN APPD:		SCALE: 4-1	
		OTHER APPD:		SHEET 1 OF 1	

CUSTOMER DRAWING

582375