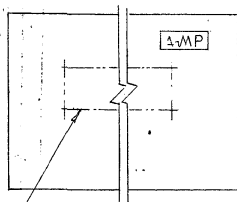
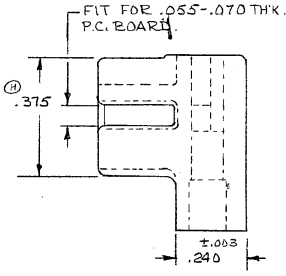
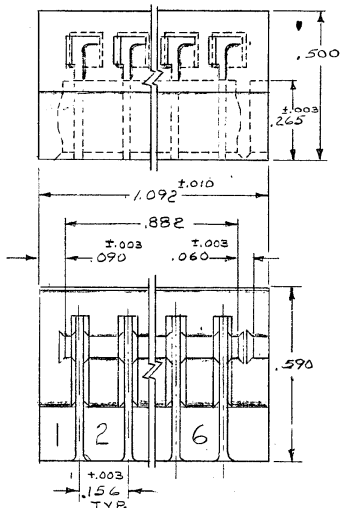


DRAWING MADE IN AMERICAN PROJECTION
 © 1962 BY AMP INCORPORATED. ALL RIGHTS RESERVED. AMP PRODUCTS COVERED BY PATENTS AND OR PATENTS PENDING.

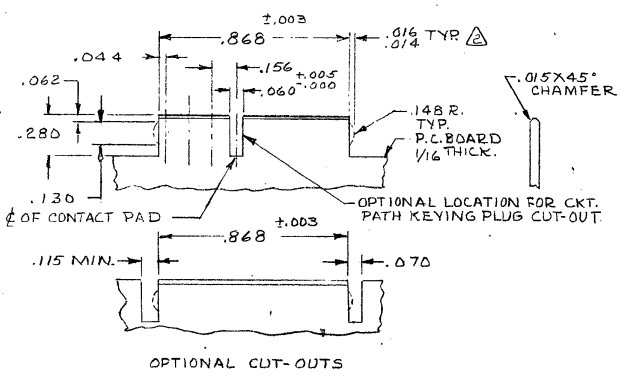
PART NO.	COLOR
582371-1	BROWN
582371-2	RED
582371-3	ORANGE
582371-4	YELLOW
582371-5	GREEN
582371-6	WHITE
582371-7	PURPLE
582371-8	GRAY
582371-9	NATURAL
582371-10	BLACK

ZONE	LTR	DESCRIPTION	DATE	APPROVED
G	T	REDRAWN WITHOUT CHANGE 3388 DR	2-9-72	D.H.
H		REVISED	3-3-72	M.S. D.H.
I		QPS-6	AD 1097 200	9-2-72
J		REV / AD-1146	SE (6-8)	6-2-72
K		REV / AD-1840, 085-2, -3, -4	TH	5-22 HBR
L		REV PER AD 3388	8-08	6-2-72
M		REV PER 0010-1183-35	11-35	R.H.
N		REV PER EC 093C-233-01	03OCT01	MM



PART NO. & DATE CODE MARKED OR MOLDED IN THIS AREA. DATE CODE (OPTIONAL)

1. REFER TO 60215 & 583284 FOR TERMINAL
 ▲ THE RETAINING DIMPLES ARE OPTIONAL IN BOTH CUT-OUTS.



UNLESS OTHERWISE SPECIFIED, DIMENSIONS ARE IN INCHES. TOLERANCES ON DECIMALS: ±.005 ANGLES: ±	CONTRACT NO.	AMP INCORPORATED HARRISBURG, PENNSYLVANIA
	DR: <i>Resnik 2-9-72</i>	
MATERIAL NYLON	CHK: <i>D.S. Heide 2-21-72</i>	NAME HOUSING, DUO-TYNE FLAG, 6 POSITION.
	APPD: <i>D.D. Bershey 2-22-72</i>	REL: <i>R. Sherman 2-22-72</i>
DSGN APPD	SIZE: C	CODE IDENT NO. NUMBER 00779 582371
OTHER APPD	SCALE: 4-1	SHEET 1 OF 1

CUSTOMER DRAWING

NUMBER 582371