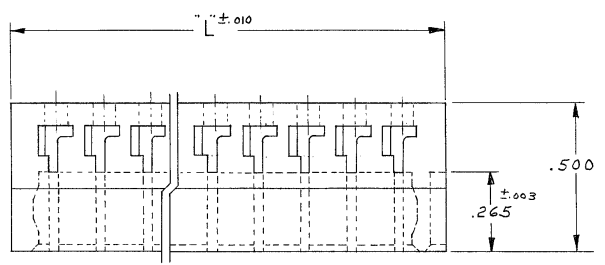


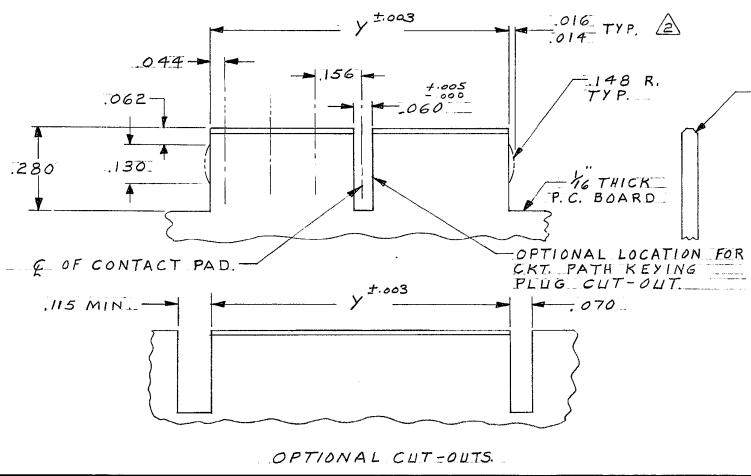
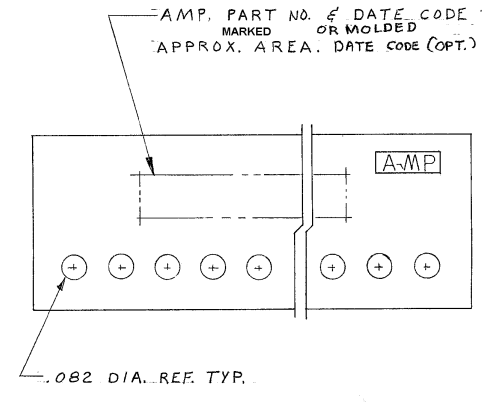
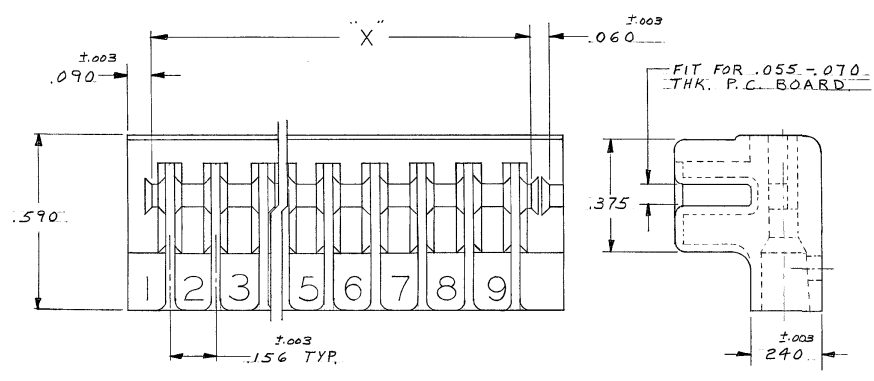
DRAWING MADE IN THIRD ANGLE PROJECTION

© COPYRIGHT 1974 BY AMP INCORPORATED, HARRISBURG, PA.
ALL INTERNATIONAL RIGHTS RESERVED. AMP INCORPORATED PRODUCTS
COVERED BY U. S. AND FOREIGN PATENTS AND/OR PATENTS PENDING.

REVISIONS						
P	F	ZONE	LTR	DESCRIPTION	DATE	APPROVED
0			A	REPLACED BY 5105501		
1			A	OBSOLETE AD3686	8/87	CP 100
2			B	REV PER 0010-1143-35	11/35	PR
3			C	REV PER EC 0030-233-01		MM



- 1. REFER TO 60215, 583284 & 530501 FOR TERMINALS.
- 2. THE RETAINING DIMPLES ARE OPTIONAL IN BOTH CUT-OUTS.
- 3. CONTACT CAVITIES ENLARGED FOR 18-16AWG LEADS WITH MAXIMUM INSULATION DIA. OF .130.



OBsolete	1.005	2.020	1.810	12	530555-3
	1.337	1.560	1.350	7	530555-2
	.700	.624	.414	3	530555-1
	Y	L	X	POS.	PART NO

UNLESS OTHERWISE SPECIFIED DIMENSIONS ARE IN INCHES. TOLERANCES ON: DECIMALS ± .005 ANGLES ± .005		CONTRACT NO	AMP INCORPORATED Harrisburg, Pa.	
MATERIAL NYLON	DR M Smith 3-5-76	CHP 3-5-76	NAME HOUSING, DUO-TYNE FLAG WITH TEST PROBE ACCESS	
FINISH #	APPD E. Trump 3/11/76	DSGN APPD	SIZE C	CODE IDENT NO 00779
	OTHER APPD		DRAWING NO 530555	SHEET 1 OF 1

CUSTOMER DRAWING