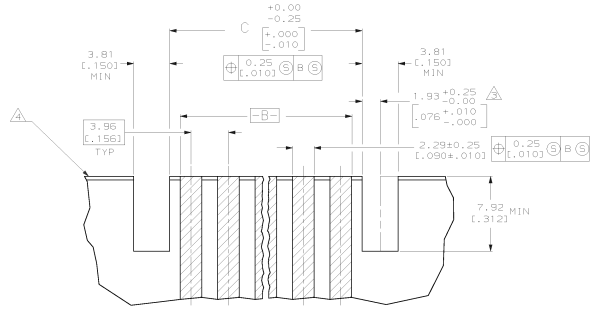
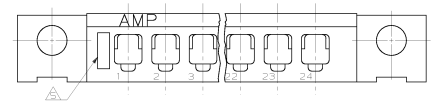
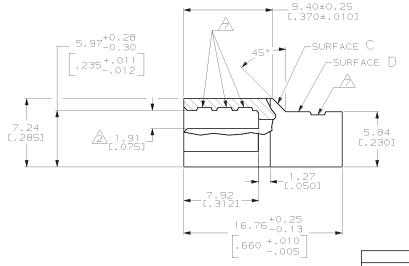
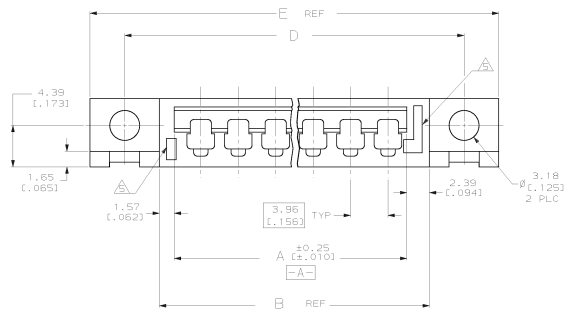
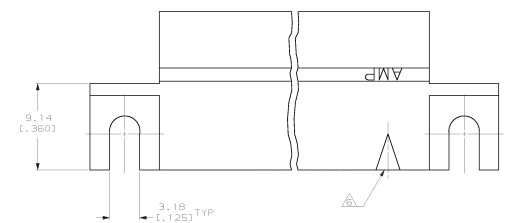


REVISION MADE IN THIRD ANGLE PROJECTION
 THIS DRAWING IS UNLESS SPECIFIED RELEASED FOR PUBLICATION
 © COPYRIGHT 19 BY AMP INCORPORATED. ALL INTERNATIONAL RIGHTS RESERVED.

REV	CM	DATE	DESCRIPTION	DATE	APPROV
1	52	6-11-92	DES -10, -15 & -20 PER EC 0730-0162-96		

- HOUSING ACCEPTS CONTACTS P/N 61668 OR 350194.
- MEASURED AT ENDS OF CARD SLOT.
- RECOMMENDED CUTOUT FOR HOUSING POLARIZATION, WHERE REQUIRED.
- 0.38 L.0153 MIN X 45° CHAMFER RECOMMENDED ON BOTH SIDES OF BOARD.
- CORING OPTIONAL.
- OPTIONAL FROSTED SURFACE LOCATED ON C OF CIRCUIT NO. 1; ANOTHER OPTION IS A RECESSED TRIANGLE ON SURFACE C WITH A FROSTED AMP LOGO ON SURFACE D.
- OPTIONAL PULL GROOVE AS REQUIRED FOR HOLDING.
- DIMENSIONS IN BRACKETS ARE IN INCHES.



REV	CM	DATE	DESCRIPTION	DATE	APPROV
1	52	6-11-92	DES -10, -15 & -20 PER EC 0730-0162-96		

E	D	C	B	A	NO. OF CIRCUITS	PART NO.
					12	1-640137-2

DO NOT SCALE PRINT.	DR 7-31-92
FINISH SPECIFIED	E. SARRON
DIMENSIONS IN MM (INCHES)	DR 7-31-92
TOLERANCES ON +	DR 7-31-92
3 PLC DEC ± 0.13 (.005)	DR 7-31-92
ANGLES ± .5	M. LING
POLYESTER	AMPD 7-31-92
POLYESTER, UL94V-0 (NATURAL)	M. LING
PRODUCT SPEC	
FINISH	APPLICATION SPEC
HEIGHT	

AMP AMP Incorporated Harrisburg, PA 17105-3608	
HOUSING, EDGE CONNECTOR, BIFURCATED LEAF	
SIZE	00779
DRAWING NO.	640137
SCALE	5:1
SHEET	1 OF 1



CUSTOMER DRAWING