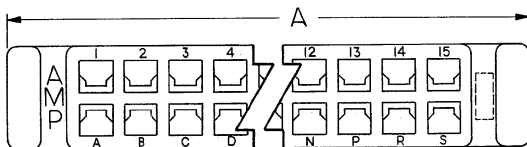
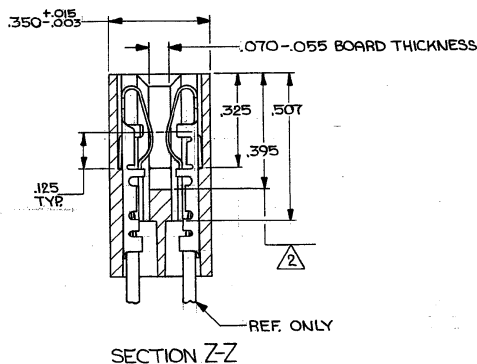
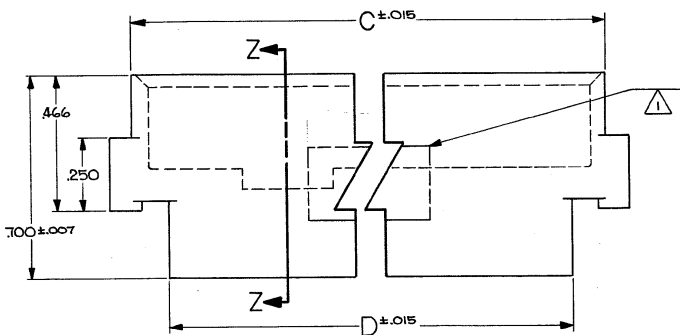
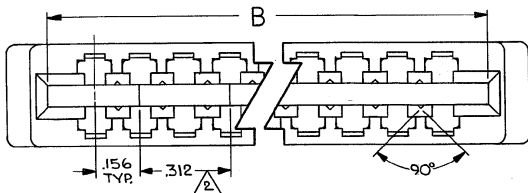


DRAWING MADE IN THIRD ANGLE PROJECTION

© COPYRIGHT 1980 BY AMP INCORPORATED, HARRISBURG, PA.
ALL INTERNATIONAL RIGHTS RESERVED. AMP INCORPORATED PRODUCTS
COVERED BY U. S. AND FOREIGN PATENTS AND/OR PATENTS PENDING.

LOC DIST
F1 22

REVISIONS				
P	F	ZONE	DESCRIPTION	DATE APPROVED
01	✓	O	WAS 5112-426	
	✓	O	REVISED PER 7239	A.M.S. 3-9-80
	✓	A	REV PER EC 0320-344-17	25 NOV 87 NS



⚠ "AMP" PART NUMBER, & DATE CODE THIS AREA.
⚠ THIS AREA IS RECESSED .070 BELOW DEPTH OF CARD SLOT.

UNLESS OTHERWISE SPECIFIED DIMENSIONS ARE IN INCHES. TOLERANCES ON: DECIMALS ±.010 ANGLES		CONTRACT NO		531271-2		2.376		2.621		2.506		2.782		15		531271-1	
MATERIAL FIBERITE 4004 COLOR-BLACK		AS MOLDED P/N		D		C		B		A		NO. OF POS.		PART NO			
FINISH — H —		DR A.M. SWAFFE CHK M. Smith APPD S. S. [Signature] DESN APPD J. [Signature]		9-9-80 9-10-80 9-12-80 9-12-81		AMP AMP INCORPORATED Harrisburg, Pa.		NAME		HOUSING, AMP LEAF, MODIFIED EAR AND CARD SLOT		SIZE		CODE IDENT NO		DRAWING NO	
		C		00779		531271		SCALE 4:1		SHEET 1 OF 1							

CUSTOMER DRAWING