

4

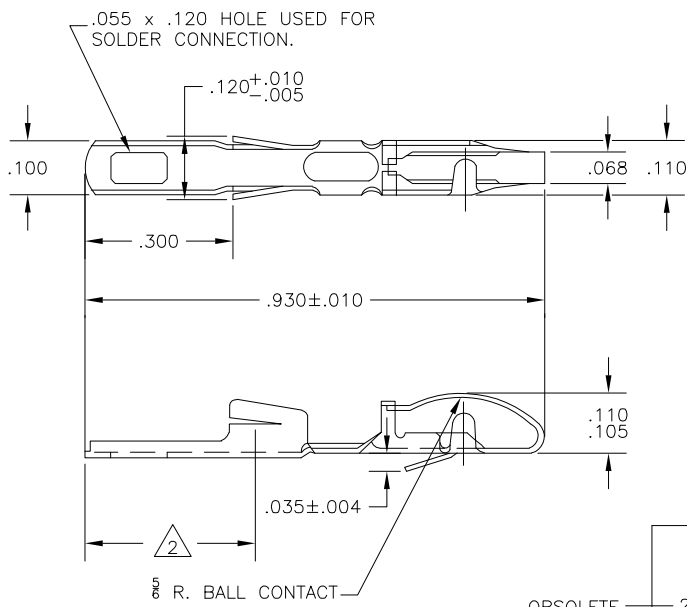
3

2

1

THIS DRAWING IS UNPUBLISHED. RELEASED FOR PUBLICATION  
 © COPYRIGHT - BY TYCO ELECTRONICS CORPORATION. ALL RIGHTS RESERVED.

LOC	DIST	REVISIONS			
P	LTR	DESCRIPTION	DATE	DWN	APVD
AD	00	M	ECO 05 006319	23MAY06	BSV MK



- 1 SELECTIVE GOLD PLATE OVER NICKEL ON CONTACT AREA ONLY.
- 2 GOLD FLASH OR TIN PLATE OVER NICKEL ON SOLDER TAB.

	5-66067-5	.000015 GOLD OVER NICKEL	FOR 1/16" P.C.BOARD	
	66067-5	.000015 GOLD OVER NICKEL		
OBSOLETE	2-#16	66067-4		.000060 GOLD OVER NICKEL
OBSOLETE	MAX.	66067-3		.000030 GOLD OVER NICKEL
	WIRE SIZE	PART NO.	FINISH	HOUSING

THIS DRAWING IS A CONTROLLED DOCUMENT.		DWN M. SMITH	22/JUN67	Tyco Electronics Corporation Harrisburg, Pa 17105-3608															
DIMENSIONS: INCHES		CHK -	APVD -	NAME AMP LEAF SOLDER TAB															
<table border="1"> <tr> <th colspan="2">TOLERANCES UNLESS OTHERWISE SPECIFIED:</th> </tr> <tr> <td>0 PLC</td> <td>± .-</td> </tr> <tr> <td>1 PLC</td> <td>± .-</td> </tr> <tr> <td>2 PLC</td> <td>± .-</td> </tr> <tr> <td>3 PLC</td> <td>± .-</td> </tr> <tr> <td>4 PLC</td> <td>± .-</td> </tr> <tr> <td>ANGLES</td> <td>± 1' 0"</td> </tr> </table>		TOLERANCES UNLESS OTHERWISE SPECIFIED:		0 PLC	± .-	1 PLC	± .-	2 PLC	± .-	3 PLC	± .-	4 PLC	± .-	ANGLES	± 1' 0"	PRODUCT SPEC -		RESTRICTED TO -	
TOLERANCES UNLESS OTHERWISE SPECIFIED:																			
0 PLC	± .-																		
1 PLC	± .-																		
2 PLC	± .-																		
3 PLC	± .-																		
4 PLC	± .-																		
ANGLES	± 1' 0"																		
MATERIAL .010 COML. PHOS. BRONZE		FINISH SEE TABLE		SIZE A3	CAGE CODE 00779														
		DRAWING NO C-66067		DRAWING NO C-66067															
		WEIGHT -		SCALE 5:1															
		CUSTOMER DRAWING		SHEET 1 OF 1 REV M															