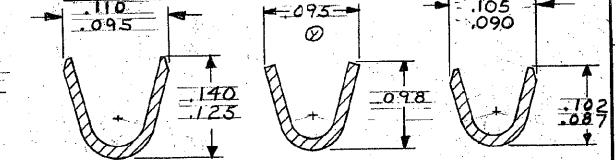
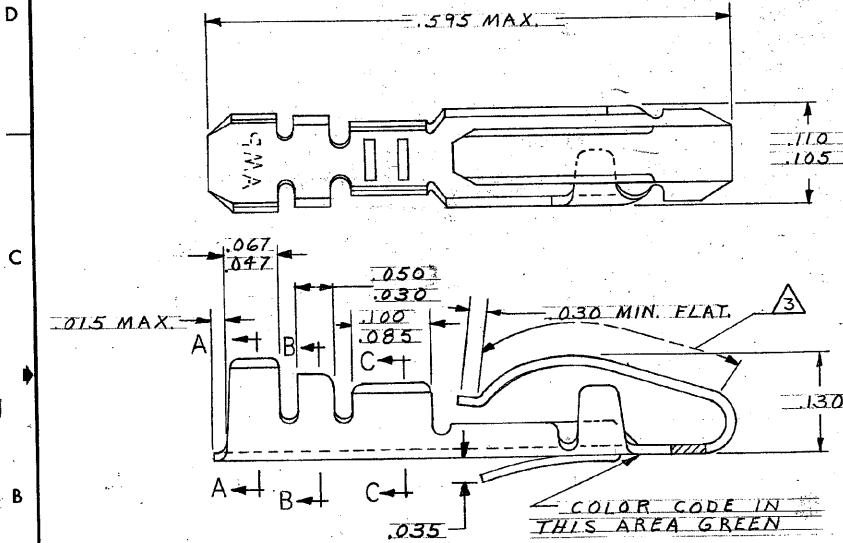


DRAWING MADE IN THIRD ANGLE PROJECTION

© COPYRIGHT 1960 BY AMP INCORPORATED, HARRISBURG, PA.  
ALL INTERNATIONAL RIGHTS RESERVED. AMP INCORPORATED PRODUCTS  
COVERED BY U.S. AND FOREIGN PATENTS AND/OR PATENTS PENDING.

AC	OBS -2 PER AD183	3-22-88	PS
AD	REV PER 0010-1582-95	1-30-87	PS
AE	REV PER EC 0320-344-97	24 MAR 87	NLS
AE1	REVISED PER ECO-09-028346	25NOV89	AEG

REV	DESCRIPTION	DATE	APPROVED
W	REDRAWN PER ECN 3834 m.s.	6-12-73	
Y	REVISED	4501 m.s.	7-28-73
X1	ADDED -9	6507 m.s.	3-80
Z	REVISED PLATING	7667 m.s.	11-8-81
AA	REVISED	7818 m.s.	2-82
AA1	OBS -7-B # -9 AD1112	8-11-84	
AA2	REV PER AD183	7-28-84	



SECT. A-A SECT. B-B SECT. C-C  
INSULATION RANGE WIRE RANGE  
.055 - .080 #22 - #18

42840-9	.000030 GOLD IN CONTACT AREA ONLY
42840-8	OVER .000030 NICKEL ALL OVER.
42840-7	.00006 GOLD OVER NICKEL
42840-6	.000015 GOLD OVER .000050 NICKEL
42840-3	.00003 GOLD OVER NICKEL
42840-2	TIN FINISH

- △ PHOS. BRONZE, .010 COMM.
- △ .120 MAX. SUM OF INSULATION DIAMETERS.
- △ .000015 GOLD OVER .000050 NICKEL IN CONTACT AREA, REMAINDER OF CONTACT NICKEL PLATED.

△ OBSOLETE PARTS: OBSOLETE CIS STREAMLINING PER D.RENAUD/D.SINISI

UNLESS OTHERWISE SPECIFIED DIMENSIONS ARE IN INCHES. TOLERANCES ON: DECIMALS .005 ANGLES .5	CONTRACT NO. DR M. Smiedo 6-12-73	AMP INCORPORATED Harrisburg, Pa.
MATERIAL	CHKD BY 977 Greg Cox 6-14-73	NAME AMP LEAF CONTACT LOOSE PIECE
FINISH	APRD BY [Signature] 6-15-73	SIZE B CODE IDENT NO 00779 NUMBER 42840
	APRD BY [Signature] 6-17-73	SCALE NTS SHEET 1 OF 1

CUSTOMER DRAWING