

4

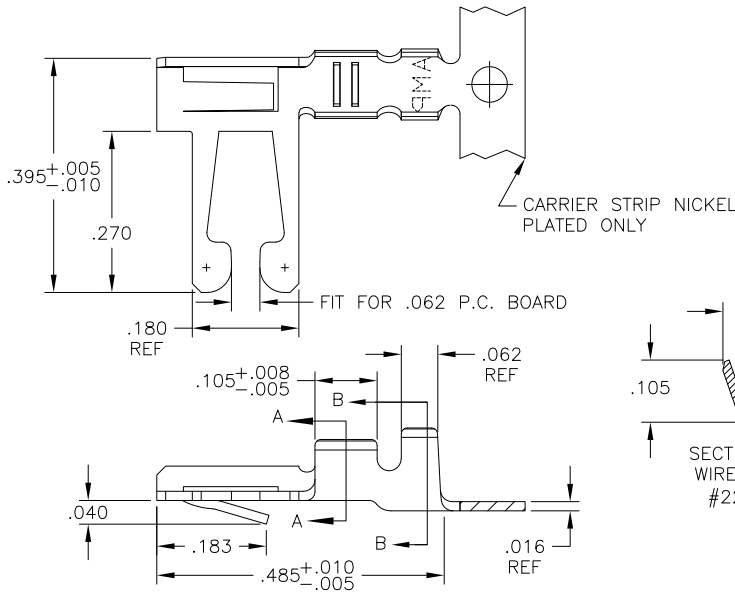
3

2

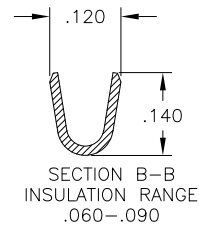
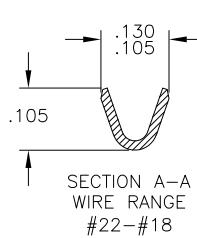
1

THIS DRAWING IS UNPUBLISHED. RELEASED FOR PUBLICATION
 © COPYRIGHT - BY TYCO ELECTRONICS CORPORATION. ALL RIGHTS RESERVED.

LOC	DIST	REVISIONS			
P	LTR	DESCRIPTION	DATE	DWN	APVD
AD	00				
	H	ECO 05 006319	22MAY06	BSV	MK
	H1	REV PER ECO-09-021510	10SEP09	KK	AEG



- REFER TO CUSTOMER 582370 SERIES AND CUSTOMER 582380 SERIES FOR HOUSING AND P.C. BOARD REQUIREMENTS
- △ .000015 GOLD OVER .000050 NICKEL IN CONTACT AREA. REMAINDER OF CONTACT .000050 NICKEL.
- △ .000030 GOLD OVER .000050 NICKEL IN CONTACT AREA. .000050 NICKEL ON REMAINDER OF CONTACT.
- △ L-R FEED FOR MINI-APPL.
- △ OBSOLETE PARTS: OBSOLETE CIS STREAMLINING PER D.RENAUD/D.SINISI



△5	OBSOLETE	MATTE TIN	△4	5-530006-5
		MATTE TIN	△4	530006-7
△5	OBSOLETE	TIN PLATE	△4	530006-6
		TIN PLATE	△4	530006-5
		TIN PLATE	△4	530006-4
△5	OBSOLETE	TIN PLATE	△3	530006-3
		TIN PLATE	△3	530006-2
		FINISH	PART NUMBER	

DIMENSIONS:		TOLERANCES UNLESS OTHERWISE SPECIFIED:		DWN		Tyco Electronics		Tyco Electronics Corporation	
INCHES				M. BINNER		29MAR01		Harrisburg, Pa 17105-3608	
0 PLC		± -		CHK		M. MILLER		05APR01	
1 PLC		± -		APVD		M. MILLER		05APR01	
2 PLC		± -		NAME		-		CONTACT, 22-18 AWG, DUO-TYNE FLAG WITH TAPERED BEAMS	
3 PLC		± .005		PRODUCT SPEC		-		-	
4 PLC		± .0005		APPLICATION SPEC		-		-	
ANGLES		± -		WEIGHT		-		-	
MATERIAL		FINISH		SIZE		CAGE CODE		DRAWING NO	
BERYLLIUM COPPER		SEE TABLE		A3		00779		C-530006	
CUSTOMER DRAWING				SCALE		SHEET		REV	
				6:1		1 OF 1		H1	