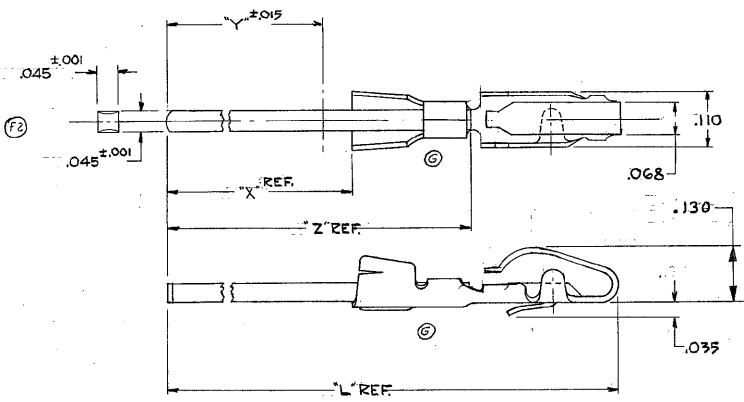


NUMBER 582355

©1962 BY AMP INCORPORATED. ALL RIGHTS RESERVED. AMP PRODUCTS COVERED BY PATENTS AND/OR PATENTS PENDING.

ZONE		LTR	DESCRIPTION	DATE	APPROVED
P			REV PER 0010-1582-95	1-30-97	P.B.
R			REV PER EC. 0310-148-96	20 JUN 97	DG
S			OBS-16B-17 PER EC 0652-67-98	11 SEP 98	CR



	PART NO	"X"	WRAP LENGTH	"Z"	"L"
OBSOLETE	582355-1	1.062	1.000	1.332	1.662
OBSOLETE	582355-2	.862	.800	1.132	1.462
OBSOLETE	582355-3	.662	.600	.932	1.262
OBSOLETE	582355-4	.462	.400	.732	1.062

UNLESS OTHERWISE SPECIFIED DIM. ARE IN INCHES. TOLERANCES ON: DECIMALS $\pm .005$ ANGLES \pm		CONTRACT NO.		AMP INCORPORATED HARRISBURG, PENNSYLVANIA	
MATERIAL SPEC: PHOS. BRONZE .00003 GOLD		DR D. Bear 5-18-66		NAME AMP LEAF POST TYPE ASSEMBLY	
WIRE: TIN.		CHK R.S. Waide 5/25/66		SIZE B	
AMP INFO LOC PRINT 00 HEAT TREAT // FINISH SEE "MATL"		APPD J. Kaufman 5/31/66		CODE IDENT NO. 00779	
		DEGN APPD R. Hallock 5/31/66		NUMBER 582355	
				SCALE 5:1	
				WT CALC ACTUAL SHEET 1 OF 2	

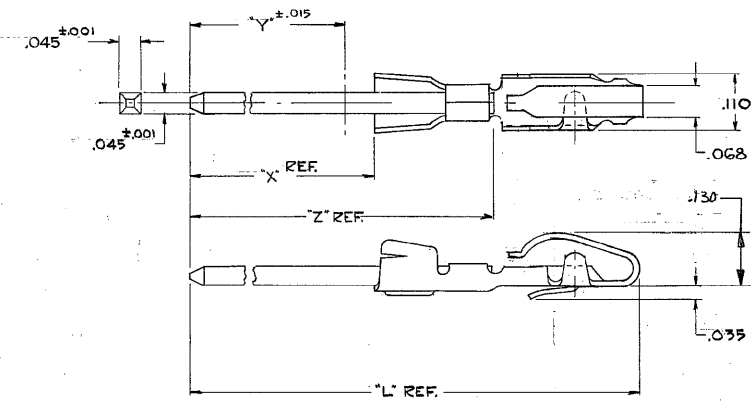
AMP 1470-1 (11/64) 5

CUSTOMER DRAWING

NUMBER 582355

© 1964 BY AMP INCORPORATED. ALL RIGHTS RESERVED. AMP PRODUCTS COVERED BY PATENTS AND/OR PATENTS PENDING.

ZONE	LTR	REVISIONS	DATE	APPROVED
1.5		SEE SHEET 1		



- ① .000015 GOLD.
- ② .000015 SELECTIVE GOLD PLATE CONTACT AREA OVER GOLD FLASH ENTIRE CONTACT.
- ③ .000015 SELECTIVE GOLD PLATE CONTACT AREA OVER NICKEL ENTIRE CONTACT.
- ④ .000030 SELECTIVE GOLD PLATE CONTACT AREA OVER GOLD FLASH ENTIRE CONTACT.

PART NO	"X"	WRAP LENGTH	"Z"	"L"	RECEPTACLE FINISH
582355-5	1.062	1.000	1.332	1.662	
582355-6	.862	.800	1.132	1.462	①
582355-7	.662	.600	.932	1.262	
582355-8	.462	.400	.732	1.062	
OBSOLETE 582355-9	1.062	1.000	1.332	1.662	
OBSOLETE 1-582355-0	.862	.800	1.132	1.462	②
OBSOLETE 1-582355-1	.662	.600	.932	1.262	
OBSOLETE 1-582355-2	.462	.400	.732	1.062	
OBSOLETE 1-582355-3	1.062	1.000	1.332	1.662	
OBSOLETE 1-582355-4	.862	.800	1.132	1.462	③
OBSOLETE 1-582355-5	.662	.600	.932	1.262	
OBSOLETE 1-582355-6	.462	.400	.732	1.062	④
OBSOLETE 1-582355-7	.862	.800	1.132	1.462	
OBSOLETE 1-582355-8	.662	.600	.932	1.262	
OBSOLETE 1-582355-9	.862	.800	1.132	1.462	PLAIN
2-582355-0	.275	.213	.545	.875	④

UNLESS OTHERWISE SPECIFIED DIM. ARE IN INCHES. TOLERANCES ON DECIMALS ± .005 ANGLES ± .05	CONTRACT NO.	AMP AMP INCORPORATED HARRISBURG, PENNSYLVANIA	
	DR <i>D. Baw</i> 5-18-66	CHK <i>S. Heide</i> 5/25/66	NAME AMP LEAF POST TYPE ASSEMBLY
MATERIAL REC'D. PHOS. BRONZE FINISH AS ABOVE	APPROV <i>J. Kaufman</i> 5/19/66	OSGN APP'D	SIZE B CODE IDENT NO. 00779 NUMBER 582355
WIRE: PHOS. BRONZE TIN.	OTHER APP'D <i>K. Holmberg</i> 5/31/66	FINISH SEE "MATL."	SCALE 5:1 WT CALC ACTUAL SHEET 2 OF 2
AMP INFO LOC AD PRINTED 100	HEAT TREAT H		CUSTOMER DRAWING