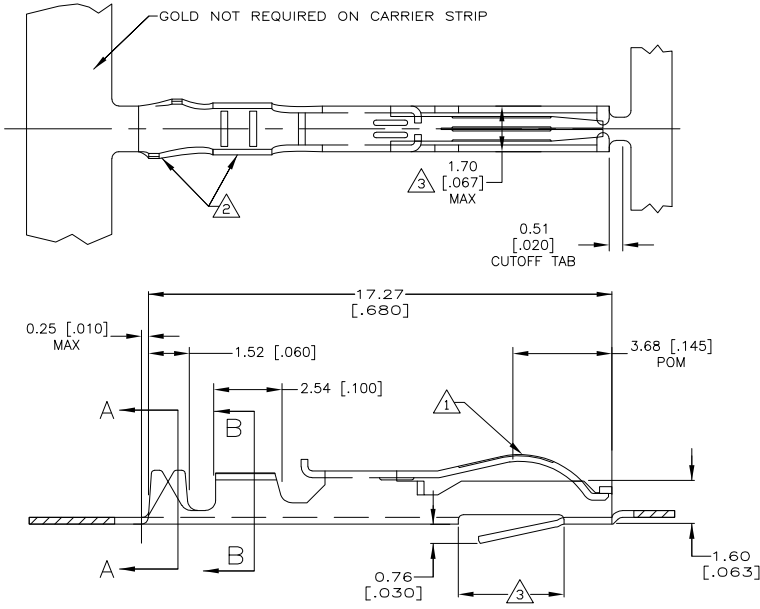
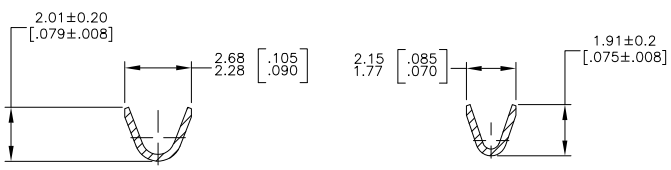
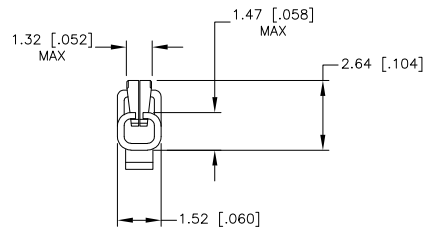


THIS DRAWING IS UNPUBLISHED. RELEASED FOR PUBLICATION BY TYCO ELECTRONICS CORPORATION. ALL RIGHTS RESERVED.

LIC		DST		REVISIONS			
TP	LR	DESCRIPTION	DATE	DR	APPD		
A		RELEASED PER EC OS12-0017-05	19 AUG 05	AWF	AWF		



- 1 0.76μm [.000030] MIN GOLD OVER 0.76μm [.000030] MIN NICKEL IN CONTACT AREA.
- 2 MATTE TIN IN CRIMP AREA.
- 3 .067 MAX ALLOWED IN LOCKING LANCE AREA.
- 4. REEL QUANTITY = 7000 PIECES.



SECTION A-A  
INSULATION RANGE  
.060-.048 DIA

SECTION B-B  
WIRE RANGE  
#20 AWG

5147439-2  
PART NUMBER

THIS DRAWING IS A CONTROLLED DOCUMENT.		DN	19 AUG 05	Tyco Electronics Corporation Harrisburg, Pa 17105-3608
ALL FRANTUM		DN	19 AUG 05	
DIMENSIONS: MM [INCHES]		TOLERANCES UNLESS OTHERWISE SPECIFIED:		SIZE
Ø	1 PUC	±	—	PRODUCT SPEC
∅	1 PUC	±	0.13 [.005]	APPLICATION SPEC
∅	1 PUC	±	—	WEIGHT
∅	1 PUC	±	—	FINISH
MATERIAL: BERYLLIUM COPPER		FINISH: 1 2		SIZE
		CUSTOMER DRAWING		QAGE CODE
				DRAWING NO
				RESTRICTED TO
				A2
				00779
				5147439
				SCALE
				10:1
				SHEET
				1 OF 1
				REV
				A

AMP 1471-B REV 31MMR2000

5147439