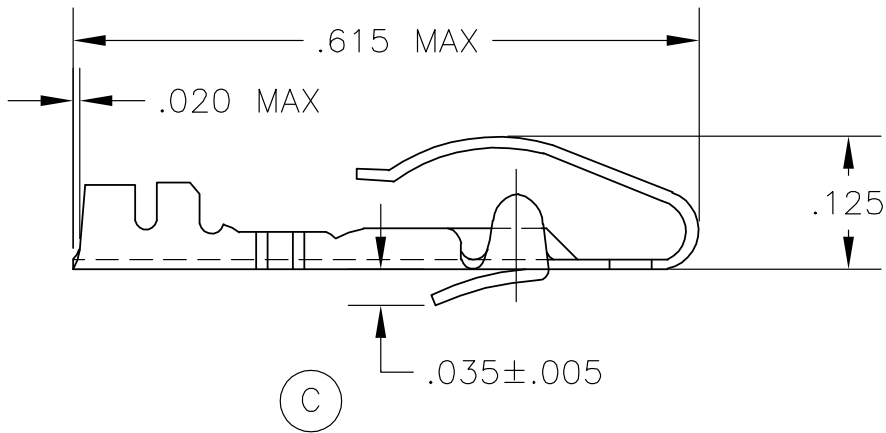
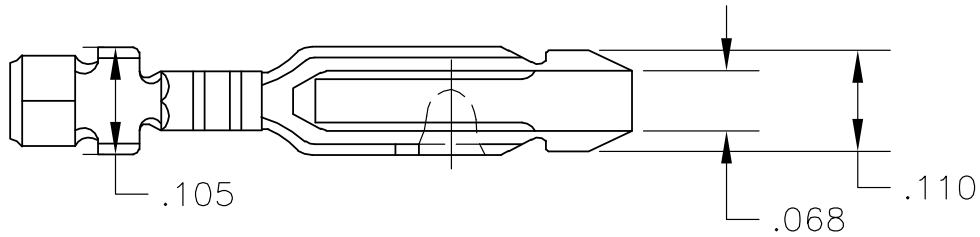


LOC	DIST	REVISIONS					
AD	00	P	LTR	DESCRIPTION	DATE	DWN	APVD
		E		ECO 05 003616	08APR06	BSV	MM



- 66084-1 1. AS SHOWN
- 66084-2 1. SAME AS -1 EXCEPT:
2. TIN PLATED.
- 66084-3 1. SAME AS -1 EXCEPT:
2. GOLD PLATED.
- 5-66084-2 1. SAME AS -1 EXCEPT:
2. MATTE TIN PLATED.

THIS DRAWING IS UNPUBLISHED.

ALL RIGHTS RESERVED.

© COPYRIGHT BY TYCO ELECTRONICS CORPORATION.

DIMENSIONS: INCHES		DWN	-	MATERIAL	PHOS. BRONZE	FINISH	-
TOLERANCES UNLESS OTHERWISE SPECIFIED:		CHK	-	Tyco Electronics Corporation Harrisburg, Pa 17105-3608			
0 PLC	± -	APVD	-				
1 PLC	± -	PRODUCT SPEC	-	NAME AMP LEAF USED FOR DUMMY TERMINAL			
2 PLC	± -	APPLICATION SPEC	-	SIZE	CAGE CODE	DRAWING NO	RESTRICTED TO
3 PLC	± .015			A4	00779	©-66084	-
4 PLC	± -	WEIGHT	-	CUSTOMER DRAWING		SCALE	5:1
ANGLES	± 1'			SCALE		SHEET	1 OF 1
				REV		E	