

4

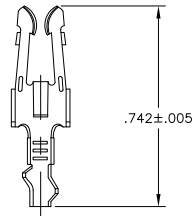
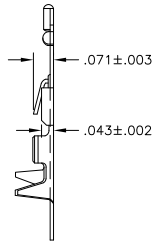
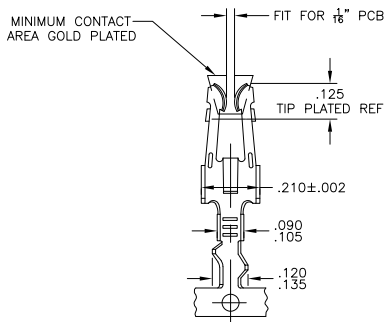
3

2

1

THIS DRAWING IS UNPUBLISHED. RELEASED FOR PUBLICATION
 © COPYRIGHT BY TYCO ELECTRONICS CORPORATION. ALL RIGHTS RESERVED.

LOC	DIST	REVISIONS			
P	LTR	DESCRIPTION	DATE	BY	APPD
G		ECO-05-004683	16JAN06	BSV	MM
G1		REV PER ECO-09-021510	12SEP09	KK	AEG



LOOSE PIECE

1. WIRE SIZE: #24-#20 AWG.
 INS. RANGE : .050-.090 DIA

2. MATTE TIN PLATE IN CRIMP AREA.

3. OBSOLETE PARTS: OBSOLETE CIS STREAMLINING PER D.RENAUD/D.SINISI

	NICKEL PLATE ALL OVER, TIP PLATE .000015 THICK GOLD.REELING L-R FEED FOR MINI-APPLICATOR.	3-5-583261-3	2-5-583259-4
	NICKEL PLATE ALL OVER, TIP PLATE .000015 THICK GOLD.REELING L-R FEED FOR MINI-APPLICATOR.	3-5-583261-2	2-5-583259-3
	TIN REELING L-R FEED FOR MINI APPLICATOR.	3-5-583261-1	2-5-583259-2
OBSOLETE	TIN REELING L-R FEED FOR STRIPPER CRIMPER.	583261-2	583259-5
	NICKEL PLATE ALL OVER, TIP PLATE .000015 THICK GOLD.REELING L-R FEED FOR MINI-APPLICATOR.	3-583261-3	583259-4
	NICKEL PLATE ALL OVER, TIP PLATE .000015 THICK GOLD.REELING L-R FEED FOR MINI-APPLICATOR.	3-583261-2	583259-3
	TIN REELING L-R FEED FOR MINI APPLICATOR.	3-583261-1	583259-2
	FINISH		PART NO.
			LOOSE PIECE PART NO.

THIS DRAWING IS A CONTROLLED DOCUMENT.		DN	-	Tyco Electronics Corporation Harrisburg, Pa 17105-3608	
DIMENSIONS:		OK	-	NAME	
INCHES		APVD	-	PRODUCT SPEC	
OTHER DIMENSIONS:		APPLICATION SPEC	-	SIZE	
0 PLC		WEIGHT	-	CASE CODE	
1 PLC		FINISH	-	DRAWING NO.	
2 PLC		SEE TABLE	-	A200779C-583259	
3 PLC			-	RESTRICTED TO	
4 PLC			-	CUSTOMER DRAWING	
ANGLES			-	SCALE	
MATERIAL			-	4:1	
PHOS. BRONZE			-	SHEET	
			-	1 OF 1	
			-	REV	
			-	G1	

583259

A